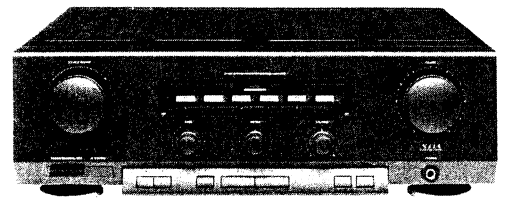


Service
Service
Service



Service Manual

CONTENTS

PAGE

Specifications	2
Controls	3
Connections	4
Servicing hints	5
Electrical adjustments	6
Warnings	6
Wiring diagram	7-8
Front selector 1 diagram	9-11
Front selector 2 diagram	12-14
Front selector P.C.B	15-17
Power unit diagram	18-20
Power unit P.C.B	21-23
Digital selector diagram	24-25
Digital selector P.C.B	24-25
List of mechanical parts	26
Exploded view	27-28
List of electrical parts	29-35



SPECIFICATION

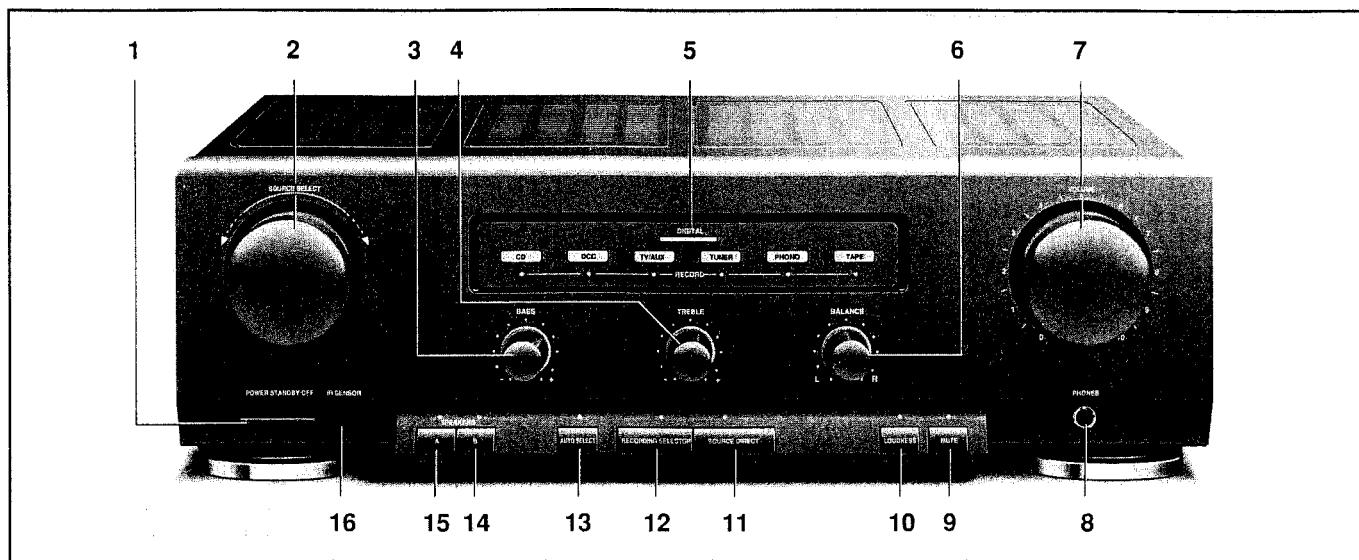
General:

Mains voltage	:220V 50Hz for/00 :240V 50Hz for/05/10 :115/230V 50Hz for/01
Power consumption	:≤ 300W at 2x60W output power :≤ 20W at stand by
Dimensions:(wxhxd)	:435x124x300 mm

Amplifier:

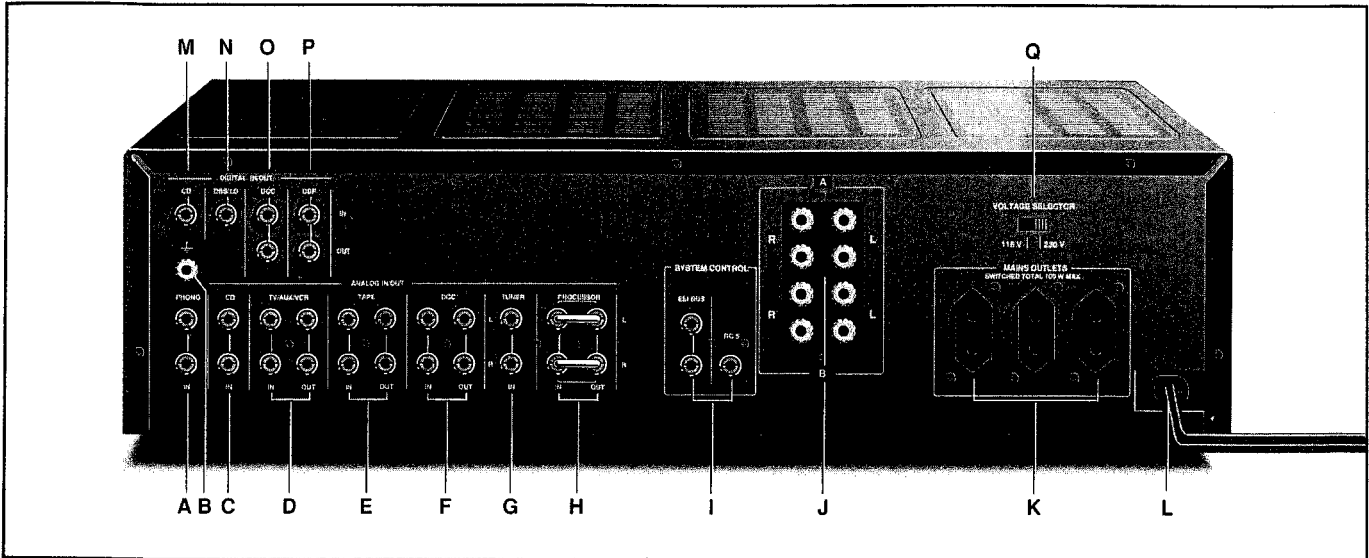
Output power & Distortion (D)	:2x60W at 8Ω D=≤0,7%(IEC) :2x55W at 8Ω D=≤0,03% (at 1kHz) :2x50W at 8Ω D=≤0,09% (20Hz...20kHz)
Music power	:2x160W
Sign.Noise:	
Phone input (5mv)	:≥83dB (A-curve weighted)
Other inputs (500mv)	:≥100dB (A-curve weighted)
Crosstalk :	
Between channels source	:≥60dB (100Hz.....10kHz) :≥65dB (100Hz.....10kHz)
Headphone	:6,3mm stereo jack
Output voltage	:≥ 5V EMF value
Output impedance	:120Ω ±10%
Frequency response	:20Hz -20kHz ≤1dB
Tone controle	:Bass +10dB to -10dB ±2dB at 80Hz :Treble +10dB to -10dB ±2dB at 10kHz :Loudness +6dB ±2dB volume ≤-40dB at 100Hz +4dB ±1,5dB volume ≤-40dB at10kHz
Input sensitivity	:Tuner 150mV Ri ≥ 20kΩ :TV/VCR 150mV Ri ≥ 20kΩ :CD 150mV Ri ≥ 20kΩ :Tape 150mV Ri ≥ 20kΩ :DCC 150mV Ri ≥ 20kΩ :Process 150mV Ri ≥ 20kΩ :Phone/MM 2,5mV Ri ≥ 47kΩ/220pf
Output voltage	:TV/VCR 150mV Ro < 2k5 :Tape 150mV Ro < 2k5 :DCC 150mV Ro < 2k5 :Process 150mV Ro < 2k5
Digital recorder selector:	
input	:impedance 75Ω :sensitivity 200 ...500mV peak-peak
output	:impedance 75Ω :level 500mV peak-peak
bitrate	:2...3MBit/sec
input type	:unbalanced
output type	:unbalanced

CONTROLS



		Pos.nr.
1)	Standby + acknowledge led	D6648
	Power off/standby button	1525
2)	Source sel.knob + Mag.Touch	1605
3)	Bass knob	3651
4)	Treble knob	3652
5)	Display window and indication led	
	Digital source indication window	1620
	CD indication window	1624
	CD record source led (red)	D6642
	DCC indication window	1621
	DCC record source led (red)	D6643
	TV/AUX indication window	1626
	TV/AUX record source led (red)	D6644
	Tuner indication window	1623
	Tuner record source led (red)	D6645
	Phone indication window	1622
	Phone record source led (red)	D6646
	Tape indication window	1625
	Tape record source led (red)	D6647
6)	Balance knob	3603
7)	Volume knob	3601
8)	Headphone	1601
9)	Mute button + Red indic.led	1611 + D6640
10)	Loudness button + Red indic.led	1608 + D6635
11)	Source direct but. + Red indic.led	1606 + D6636
12)	Rec.sel.button + Red indic.led	1612 + D6641
13)	Auto-select button + Red indic.led	1607 + D6639
14)	Speakers B-button + Red indic.led	1609 + D6638
15)	Speakers A-button + Red indic.led	1610 + D6637
16)	IR-receiver eye	6700

CONNECTIONS



	Pos.nr.
A) Phone input	1401
B) Phone ground	
C) CD input	1401
D) TV/AUX/VCR input	1401
AUX/VCR output	1401
E) Tape input	1402
Tape output	1402
F) DCC input	1402
DCC output	1402
G) Tuner input	1403
H) Processor in	1403
Processor out	1403
I) Easy link Bus	1261
RC 5 Bus	1262
J) Speaker system A Right	1264
Speaker system A Left	1264
Speaker system B Right	1263
Speaker system B Left	1263
K) Switched AC outlets	1926-27-28
L) Fixed mainscord	
M) CD digital input	1477
N) DBS/LD digital input	1477
O) DCC digital input	1475
DCC digital output	1475
P) DSP digital input	1475
DSP digital output	1475
Q) Voltage selector (for/01 only)	

Service Test Program

Processor Test

The test can be called up by pressing the keys Loudness and mute at the same time when the amplifier is switched on. The following lamps and leds will now be lit. Step A (fig 1)


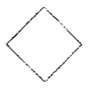
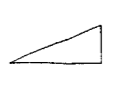

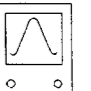
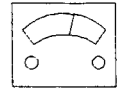
When any key is pressed the following lamps and leds will now lit. Step B (fig 1) Press again a key to step F and check every step. (fig 1)

When a key is pressed after step F the volume knob turns for about 4 seconds right and 4 seconds left. After the volume controls check a eeprom check is started. When after 0.2 seconds the magic touch is used to wake up the amplifier, the amplifier will come up with setting G (fig 1)

When setting G is wrong check eeprom!!

Steps	A	B	C	D	E	F	G
Lamps							
CD	on	off	off	off	off	off	off
DCC	off	on	off	off	off	off	off
TV/AUX	off	off	on	off	off	off	off
TUNER	off	off	off	on	off	off	off
PHONE	off	off	off	off	on	off	off
TAPE	off	off	off	off	off	on	on
Rec.Leds							
CD	off	off	off	off	off	on	off
DCC	off	off	off	off	on	off	off
TV/AUX	off	off	off	on	off	off	off
TUNER	off	off	on	off	off	off	off
PHONE	off	on	off	off	off	off	off
TAPE	on	off	off	off	off	off	on
Source Leds							
S/BY	on	off	on	off	on	off	off
Speak.A	off	on	off	on	off	on	on
Speak.B	on	off	on	off	on	off	off
Auto sel	off	on	off	on	off	on	on
Rec.sel	on	off	on	off	on	off	off
Sour.Dir.	off	on	off	on	off	on	on
Loudness	on	off	on	off	on	off	off
Mute	off	on	off	on	off	on	on

Quiescent Current

SK.... SWITCH	 SIGNAL	 TO	 VOLUME	 ADJUST	 OSILLOSCOPE	 D.C.METER INDICATOR
STAND - BY				L ch R 3285		L ch. DC 6 mV
				R ch. R 3286		R ch. DC 6 mV

- Check for good thermal contact between power transistor and heatsink.
- Mains Voltage 220V /00 240V /05 5%
- Ambient temperature =20° 5° and heatsink must be at ambient temperature.
- Set volume position to minimum.
- Disconnect speakers or place the set on stand-by position.
- Trimpotmeter in clock wise position.
- The adjustment must be finished for both channels 20sec after power on.

GB WARNING

All ICs and many other semi-conductors are susceptible to electrostatic discharges (ESD). Careless handling during repair can reduce life drastically. When repairing, make sure that you are connected with the same potential as the mass of the set via a wrist wrap with resistance. Keep components and tools also at this potential.

ESD



NL WAARSCHUWING

Alle IC's en vele andere halfgeleiders zijn gevoelig voor electrostatische ontladingen (ESD). Onzorgvuldig behandelen tijdens reparatie kan de levensduur drastisch doen verminderen. Zorg ervoor dat u tijdens reparatie via een polsband met weerstand verbonden bent met hetzelfde potentiaal als de massa van het apparaat. Houd componenten en hulpmiddelen ook op hetzelfde potentiaal.

F ATTENTION

Tous les IC et beaucoup d'autres semi-conducteurs sont sensibles aux décharges statiques (ESD). Leur longévité pourrait être considérablement écourtée par le fait qu'aucune précaution n'est prise à leur manipulation. Lors de réparations, s'assurer de bien être relié au même potentiel que la masse de l'appareil et enfilez le bracelet serti d'une résistance de sécurité. Veiller à ce que les composants ainsi que les outils que l'on utilise soient également à ce potentiel.

D WARNUNG

Alle ICs und viele andere Halbleiter sind empfindlich gegenüber elektrostatischen Entladungen (ESD). Unvorsichtige Behandlung im Reparaturfall kann die Lebensdauer drastisch reduzieren. Veranlassen Sie, dass Sie im Reparaturfall über ein Pulsarmband mit Widerstand verbunden sind mit dem gleichen Potential wie die Masse des Gerätes. Bauteile und Hilfsmittel auch auf dieses gleiche Potential halten.

I AVVERTIMENTO

Tutti IC e parecchi semi-conduttori sono sensibili alle scariche statiche (ESD). La loro longevità potrebbe essere fortemente ridotta in caso di non osservazione della più grande cautela alla loro manipolazione. Durante le riparazioni occorre quindi essere collegato allo stesso potenziale che quello della massa dell'apparecchio tramite un braccialetto a resistenza. Assicurarsi che i componenti e anche gli utensili con quali si lavora siano anche a questo potenziale.

GB

Safety regulations require that the set be restored to its original condition and that parts which are identical with those specified be used.

NL

Veiligheidsbepalingen vereisen dat het apparaat in zijn oorspronkelijke toestand wordt teruggebracht en dat onderdelen, identiek aan de gespecificeerde worden toegepast.

D

Bei jeder Reparatur sind die geltenden Sicherheitsvorschriften zu beachten. Der Originalzustand des Geräts darf nicht verändert werden für Reparaturen sind Original-Ersatzteile zu verwenden.

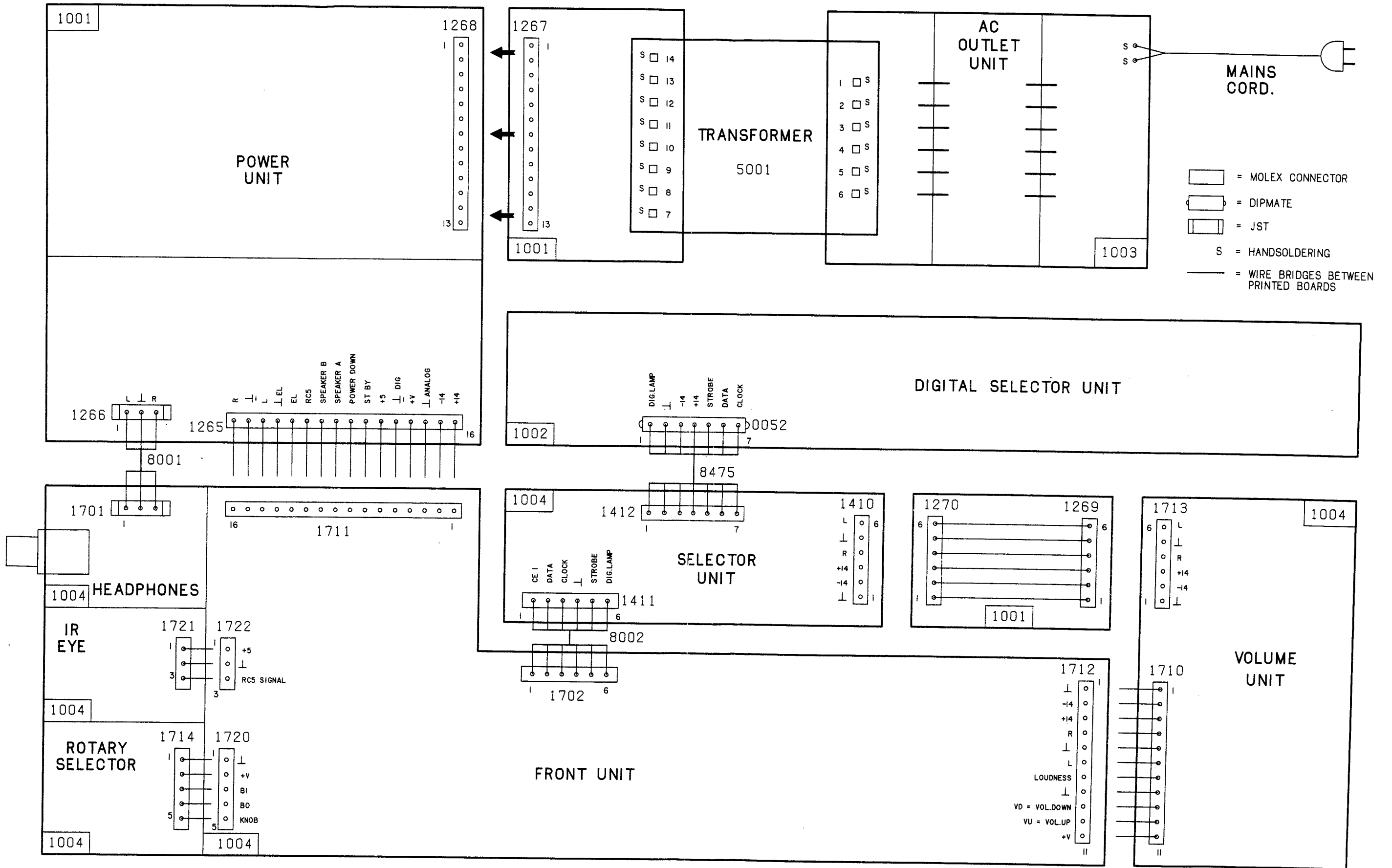
I

Le norme di sicurezza esigono che l'apparecchio venga rimesso nelle condizioni originali e che siano utilizzati pezzi di ricambio identici a quelli specificati.

F

Les normes de sécurité exigent que l'appareil soit remis à l'état d'origine et que soient utilisées les pièces de rechange identiques à celles spécifiées.

Pour votre sécurité, ces documents doivent être utilisés par des spécialistes agréés, seuls habilités à réparer votre appareil en panne.



Service Test Program

Processor Test

The test can be called up by pressing the keys Loudness and mute at the same time when the amplifier is switched on. The following lamps and leds will now be lit. Step A (fig 1)

When any key is pressed the following lamps and leds will now lit. Step B (fig 1) Press again a key to step F and check every step. (fig 1)

When a key is pressed after step F the volume knob turns for about 4 seconds right and 4 seconds left. After the volume control check a eeprom check is started. When after 0.2 seconds the magic touch is used to wake up the amplifier, the amplifier will come up with setting G (fig 1)

When setting G is wrong check eeprom!!

Steps	A	B	C	D	E	F	G
Lamps							
CD	on	off	off	off	off	off	off
DCC	off	on	off	off	off	off	off
TV/AUX	off	off	on	off	off	off	off
TUNER	off	off	off	on	off	off	off
PHONE	off	off	off	off	on	off	off
TAPE	off	off	off	off	off	on	on
Rec.Leds							
CD	off	off	off	off	off	on	off
DCC	off	off	off	off	on	off	off
TV/AUX	off	off	off	on	off	off	off
TUNER	off	off	on	off	off	off	off
PHONE	off	on	off	off	off	off	off
TAPE	on	off	off	off	off	off	on
Source Leds							
St/By	on	off	on	off	on	off	off
Speak.A	off	on	off	on	off	on	on
Speak.B	on	off	on	off	on	off	off
Auto sel	off	on	off	on	off	on	on
Rec.sel	on	off	on	off	on	off	off
Sour.Dir.	off	on	off	on	off	on	on
Loudness	on	off	on	off	on	off	off
Mute	off	on	off	on	off	on	on

GB

Safety regulations require that the set be restored to its original condition and that parts which are identical with those specified be used.

NL

Veiligheidsbepalingen vereisen dat het apparaat in zijn oorspronkelijke toestand wordt teruggebracht en dat onderdelen, identiek aan de gespecificeerde worden toegepast.

D

Bei jeder Reparatur sind die geltenden Sicherheitsvorschriften zu beachten. Der Originalzustand des Geräts darf nicht verändert werden für Reparaturen sind Original-Ersatzteile zu verwenden.

I

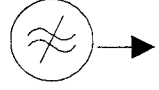
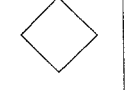


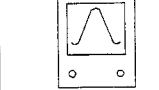


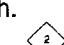


Le norme di sicurezza esigono che l'apparecchio venga rimesso nelle condizioni originali e che siano utilizzati pezzi di ricambio identici a quelli specificati.

F

Les normes de sécurité exigent que l'appareil soit remis à l'état d'origine et que soient utilisées les pièces de rechange identiques à celles spécifiées.

Pour votre sécurité, ces documents doivent être utilisés par des spécialistes agréés, seuls habilités à réparer votre appareil en panne.

Quiescent Current

SK.... SWITCH	 SIGNAL	 TO	 VOLUME	 ADJUST	 OSILLOSCOPE	 D.C. METER INDICATOR
STAND - BY			Min.	L ch R 3285		L ch.   DC 12 mV
				R ch. R 3284		R ch.   DC 12 mV

- Check for good thermal contact between power transistor and heatsink.
- Mains Voltage 220V /00 240V /05 5%
- Ambient temperature =20° 5° and heatsink must be at ambient temperature.
- Set volume position to minimum.

- Place the set on stand-by position.
- Trimpotmeter in clock wise position.
- The adjustment must be finished for both channels 20sec after power on.

GB WARNING

All ICs and many other semi-conductors are susceptible to electrostatic discharges (ESD). Careless handling during repair can reduce life drastically. When repairing, make sure that you are connected with the same potential as the mass of the set via a wrist wrap with resistance. Keep components and tools also at this potential.

NL WAARSCHUWING

Alle ICs en vele andere halfgeleiders zijn gevoelig voor electrostatische ontladingen (ESD). Onzorgvuldig behandelen tijdens reparatie kan de levensduur drastisch doen verminderen. Zorg ervoor dat U tijdens reparatie via een polsband met weerstand verbonden bent met hetzelfde potentiaal als de massa van het apparaat. Houd componenten en hulpmiddelen ook op hetzelfde potentiaal.

D WARNUNG

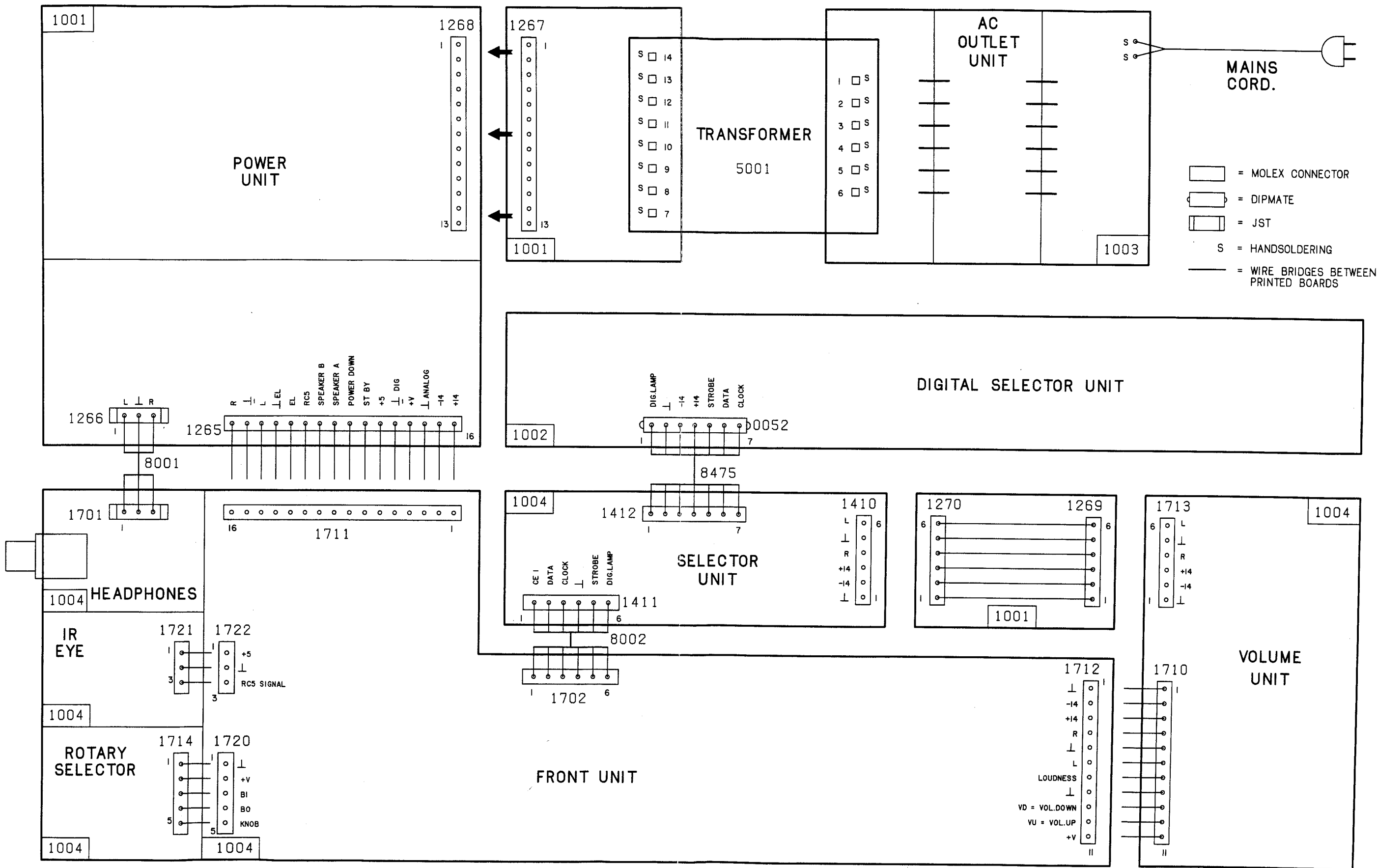
Alle ICs und viele andere Halbleiter sind empfindlich gegenüber electrostatischen Entladungen (ESD). Unvorsichtige Behandlung im Reparaturfall kann die Lebensdauer drastisch reduzieren. Veranlassen Sie, dass Sie im Reparaturfall über ein Pulsarmband mit Widerstand verbunden sind mit dem gleichen Potential wie die Masse des Gerätes. Bauteile und Hilfsmittel auch auf dieses gleiche Potential halten.

F ATTENTION

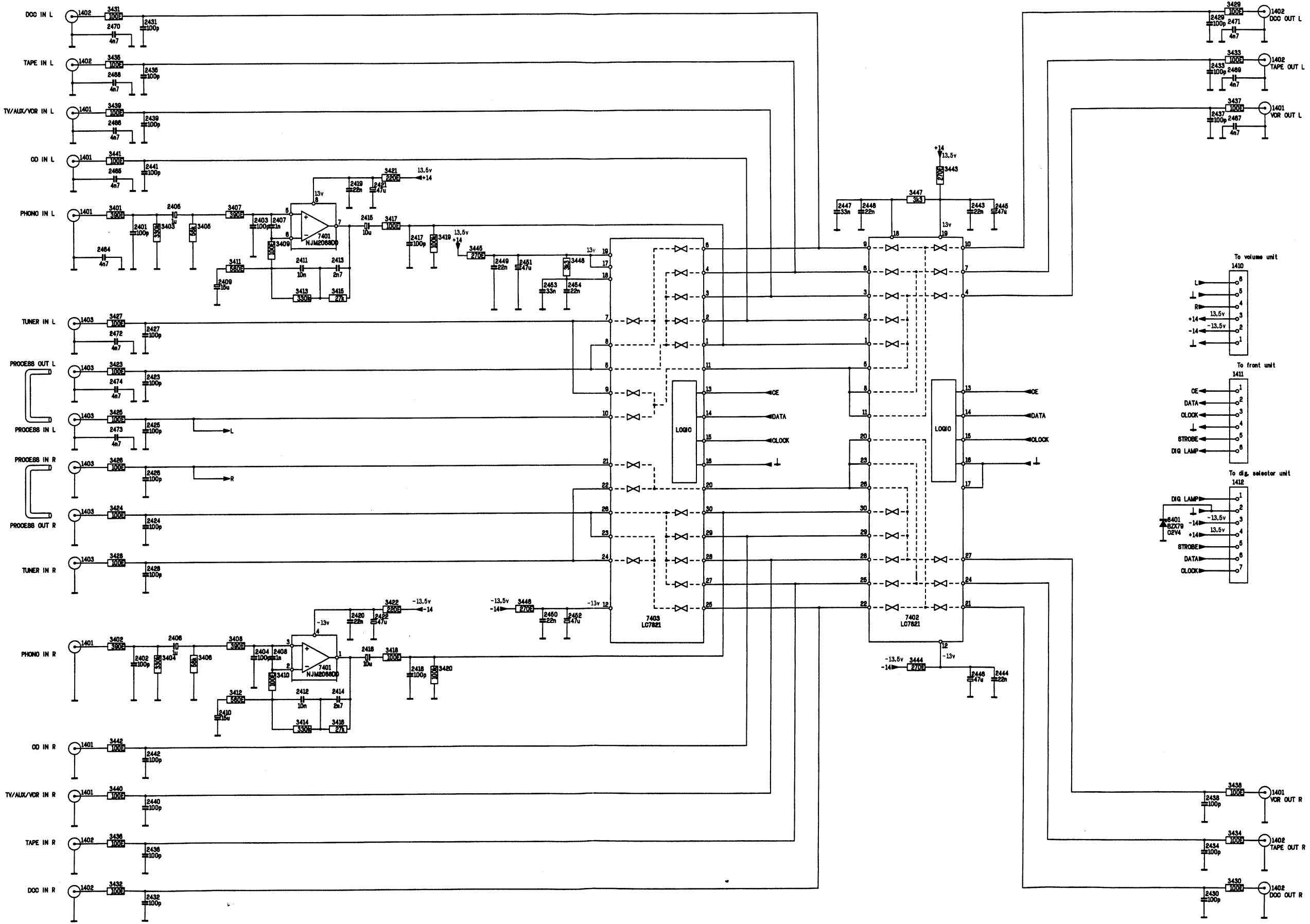
Tous les IC et beaucoup d'autres semi-conducteurs sont sensibles aux décharges statiques (ESD). Leur longévité pourrait être considérablement écourtée par le fait qu'aucune précaution n'est prise à leur manipulation. Lors de réparations, s'assurer de bien être relié au même potentiel que la masse de l'appareil et enfiler le bracelet serti d'une résistance de sécurité. Veiller à ce que les composants ainsi que les outils que l'on utilise soient également à ce potentiel.

I AVVERTIMENTO

Tutti IC e parecchi semiconduttori sono sensibili alle scariche statiche. (ESD) La loro longevità potrebbe essere fortemente ridotta in caso di non osservazione della più grande cautela alla loro manipolazione. Durante le riparazioni occorre quindi essere collegato allo stesso potenziale che quello della massa dell'apparecchio tramite un braccialetto a resistenza. Assicurarsi che i componenti e anche gli utensili con quali si lavora siano anche a questo potenziale.

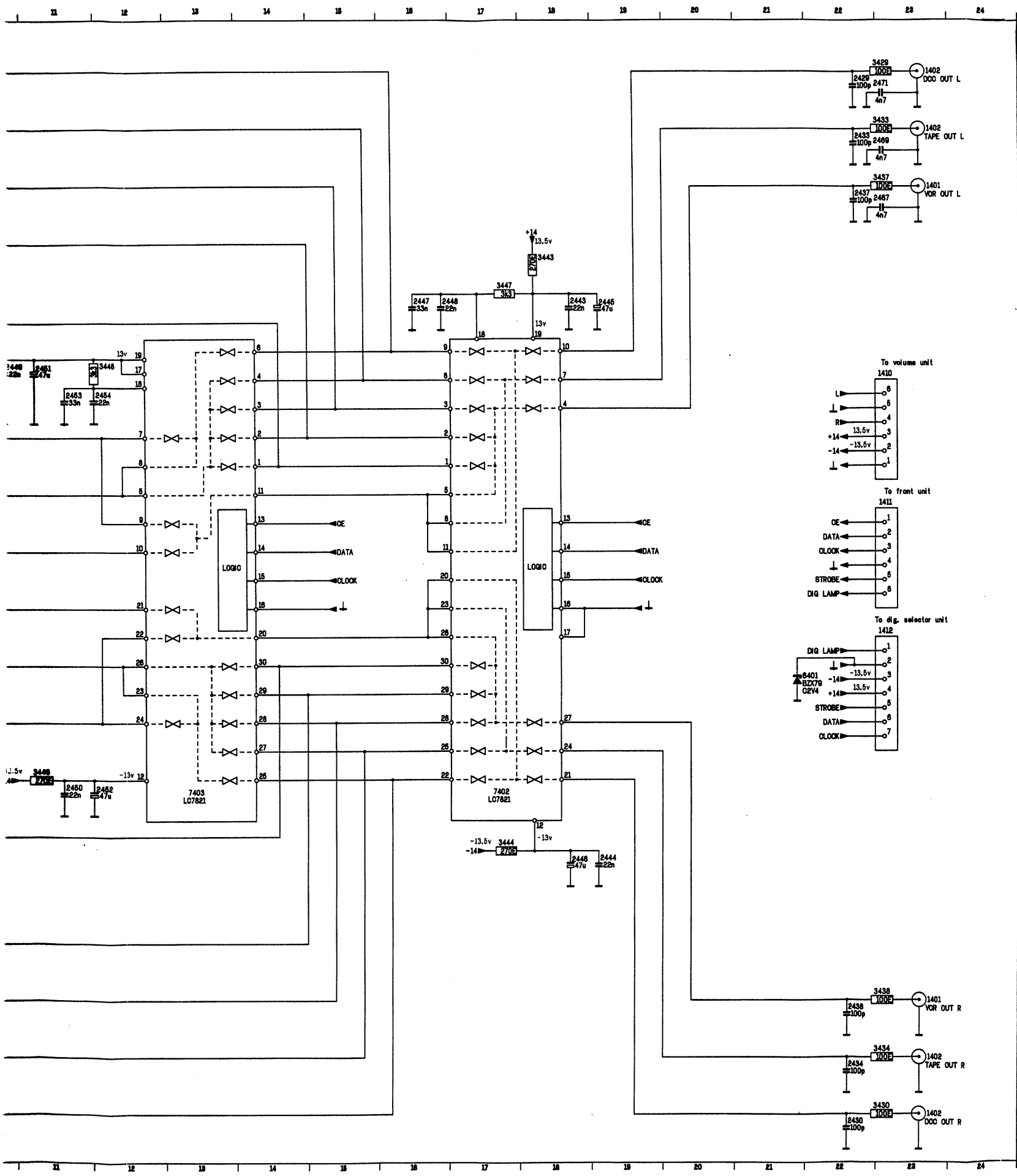


SELECTOR UNIT



Pinout table for the Selector Unit:

1401	DOC IN L	1402	DOC OUT L
1401	TAPE IN L	1402	TAPE OUT L
1401	TV/AUX/VCR IN L	1401	VCR OUT L
1401	OD IN L		
1401	PHONO IN L		
1403	TUNER IN L		
1403	PROCESS OUT L		
1403	PROCESS IN L		
1403	PROCESS IN R		
1403	PROCESS OUT R		
1403	TUNER IN R		
1401	PHONO IN R		
1401	OD IN R		
1401	TV/AUX/VCR IN R	1401	VCR OUT R
1402	TAPE IN R	1402	TAPE OUT R
1402	DOC IN R	1402	DOC OUT R



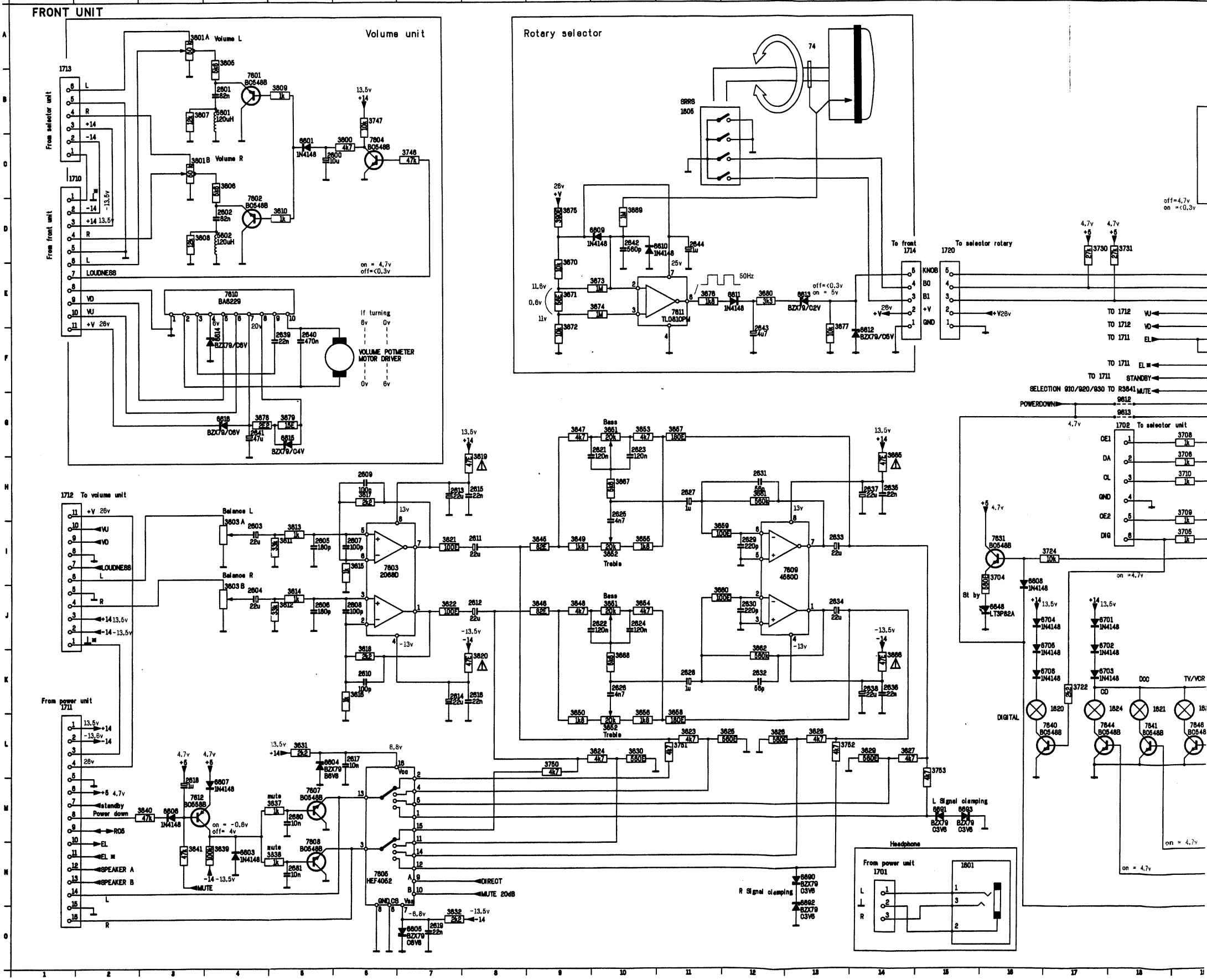
Component list and pin connections:

- 1401 VOR OUT L
- 1402 TAPE OUT L
- 1403 VOR OUT R
- 1404 TAPE OUT R
- 1405 DCC OUT R

Pin connections for various components:

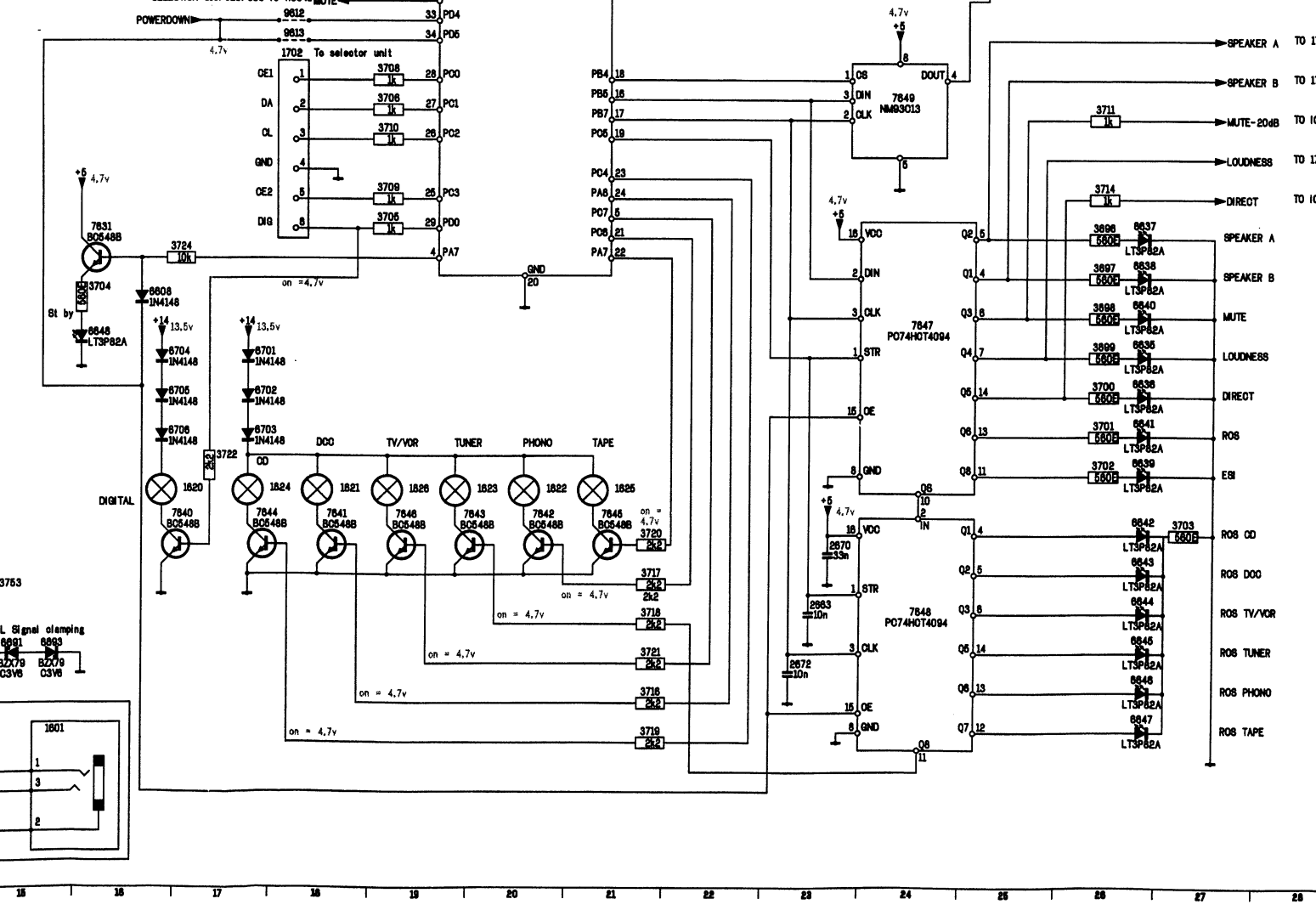
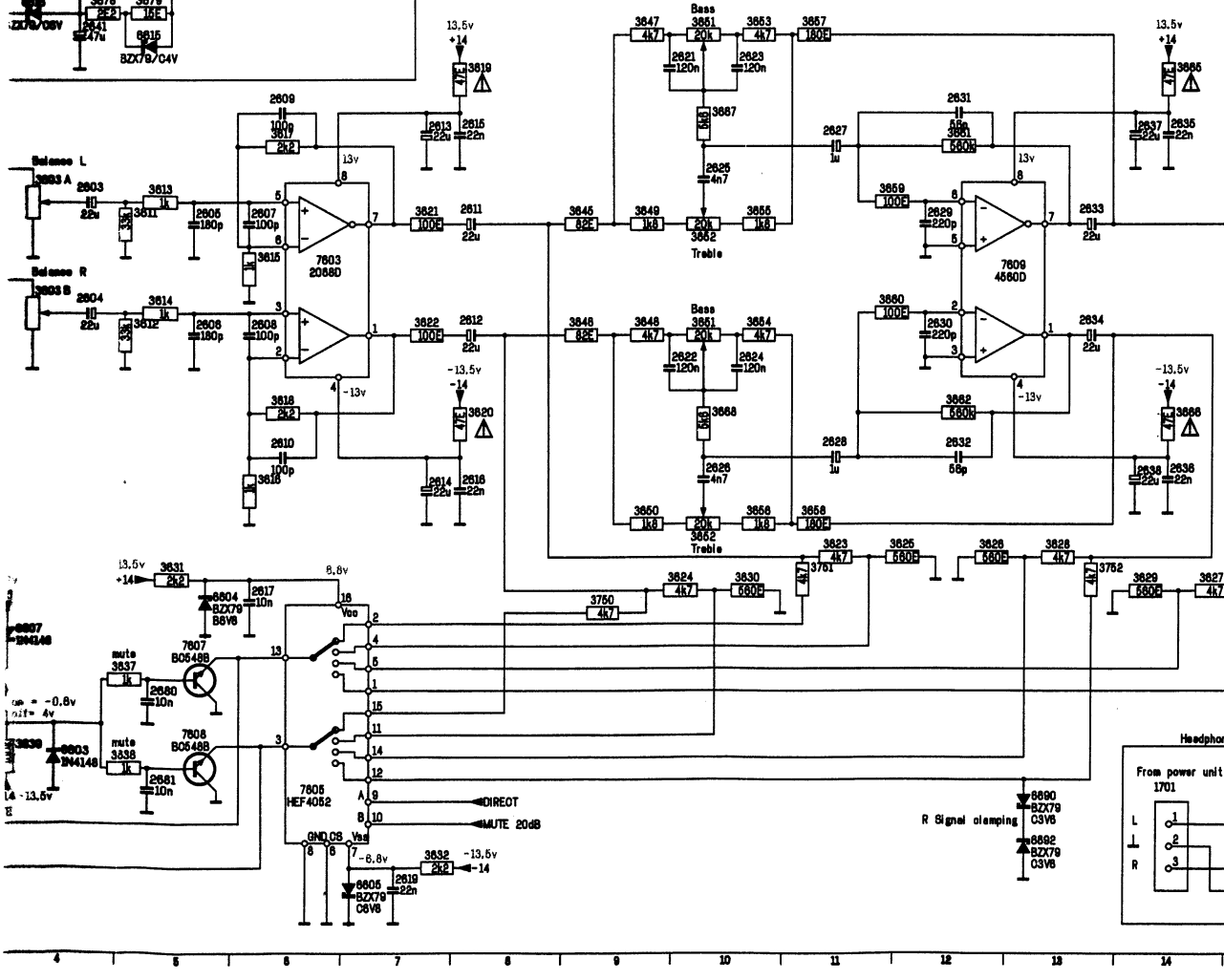
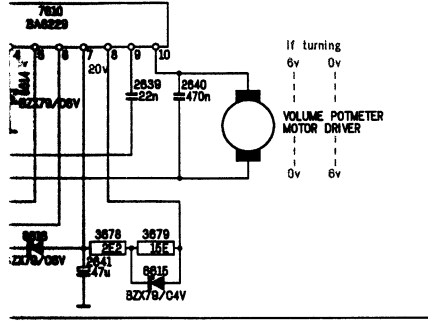
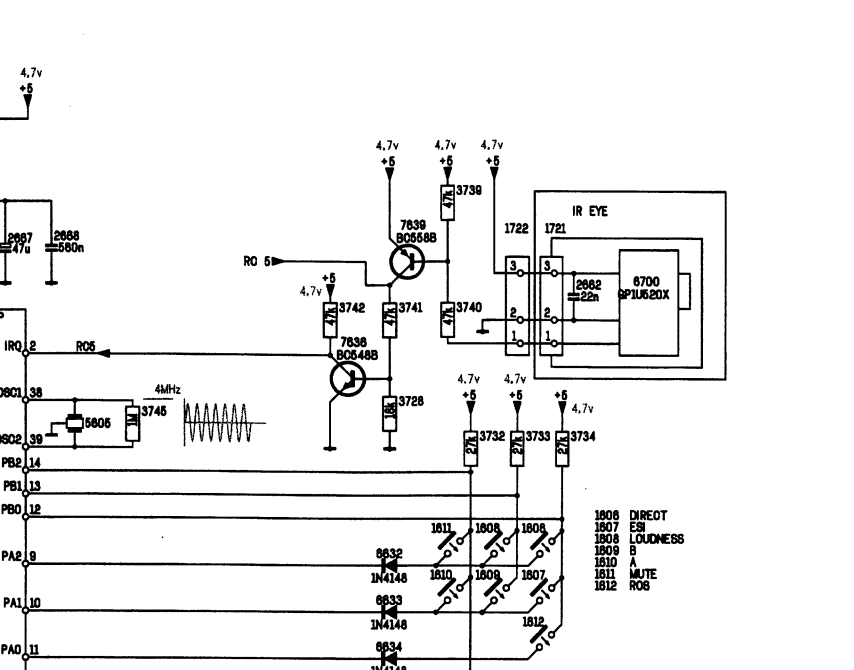
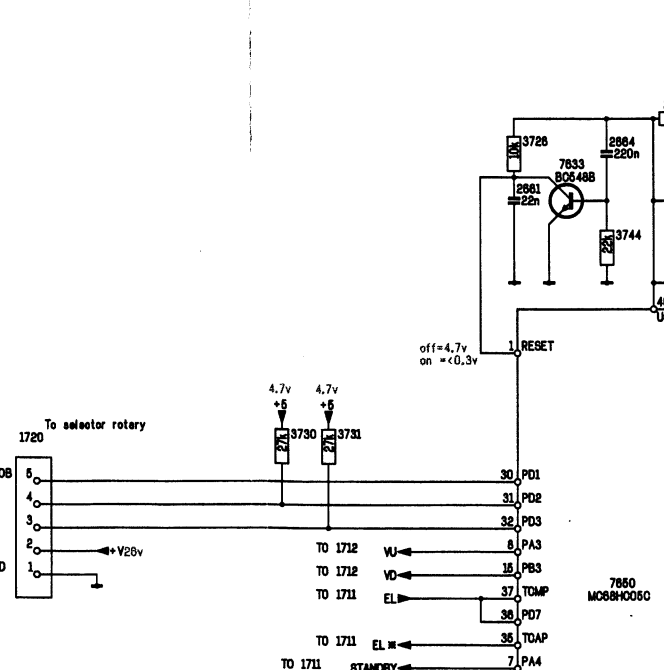
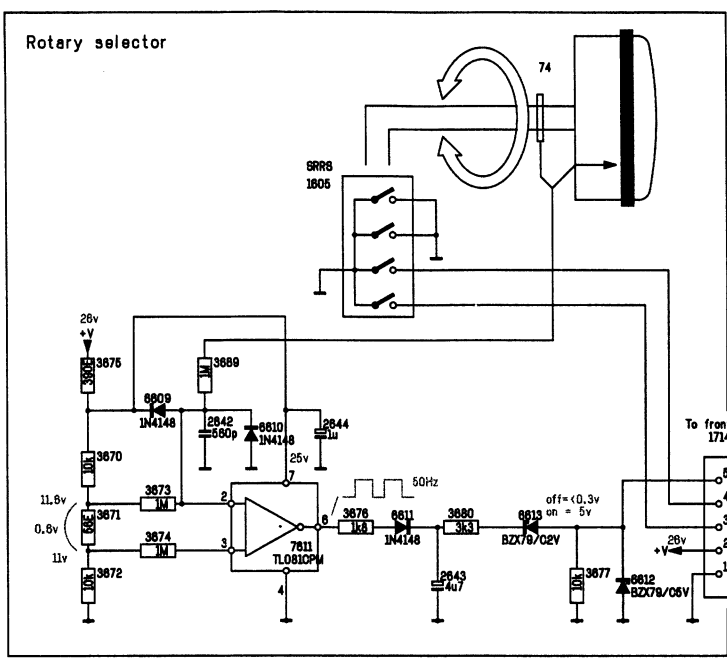
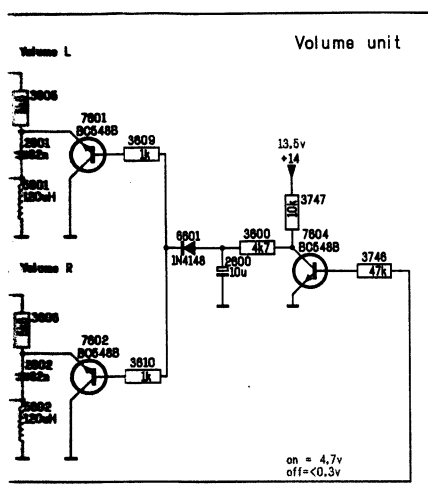
- 1410 To volume unit:** 1, 2, 3, 4, 5, 6, 7, 8, 9, 10, 11, 12, 13, 14, 15, 16, 17, 18, 19, 20, 21, 22, 23, 24, 25, 26, 27, 28, 29, 30, 31, 32, 33, 34, 35, 36, 37, 38, 39, 40, 41, 42, 43, 44, 45, 46, 47, 48, 49, 50, 51, 52, 53, 54, 55, 56, 57, 58, 59, 60, 61, 62, 63, 64, 65, 66, 67, 68, 69, 70, 71, 72, 73, 74, 75, 76, 77, 78, 79, 80, 81, 82, 83, 84, 85, 86, 87, 88, 89, 90, 91, 92, 93, 94, 95, 96, 97, 98, 99, 100.
- 1411 To front unit:** 1, 2, 3, 4, 5, 6, 7, 8, 9, 10, 11, 12, 13, 14, 15, 16, 17, 18, 19, 20, 21, 22, 23, 24, 25, 26, 27, 28, 29, 30, 31, 32, 33, 34, 35, 36, 37, 38, 39, 40, 41, 42, 43, 44, 45, 46, 47, 48, 49, 50, 51, 52, 53, 54, 55, 56, 57, 58, 59, 60, 61, 62, 63, 64, 65, 66, 67, 68, 69, 70, 71, 72, 73, 74, 75, 76, 77, 78, 79, 80, 81, 82, 83, 84, 85, 86, 87, 88, 89, 90, 91, 92, 93, 94, 95, 96, 97, 98, 99, 100.
- 1412 To dig. selector unit:** 1, 2, 3, 4, 5, 6, 7, 8, 9, 10, 11, 12, 13, 14, 15, 16, 17, 18, 19, 20, 21, 22, 23, 24, 25, 26, 27, 28, 29, 30, 31, 32, 33, 34, 35, 36, 37, 38, 39, 40, 41, 42, 43, 44, 45, 46, 47, 48, 49, 50, 51, 52, 53, 54, 55, 56, 57, 58, 59, 60, 61, 62, 63, 64, 65, 66, 67, 68, 69, 70, 71, 72, 73, 74, 75, 76, 77, 78, 79, 80, 81, 82, 83, 84, 85, 86, 87, 88, 89, 90, 91, 92, 93, 94, 95, 96, 97, 98, 99, 100.

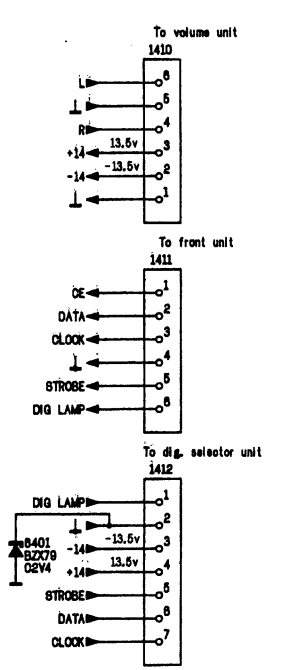
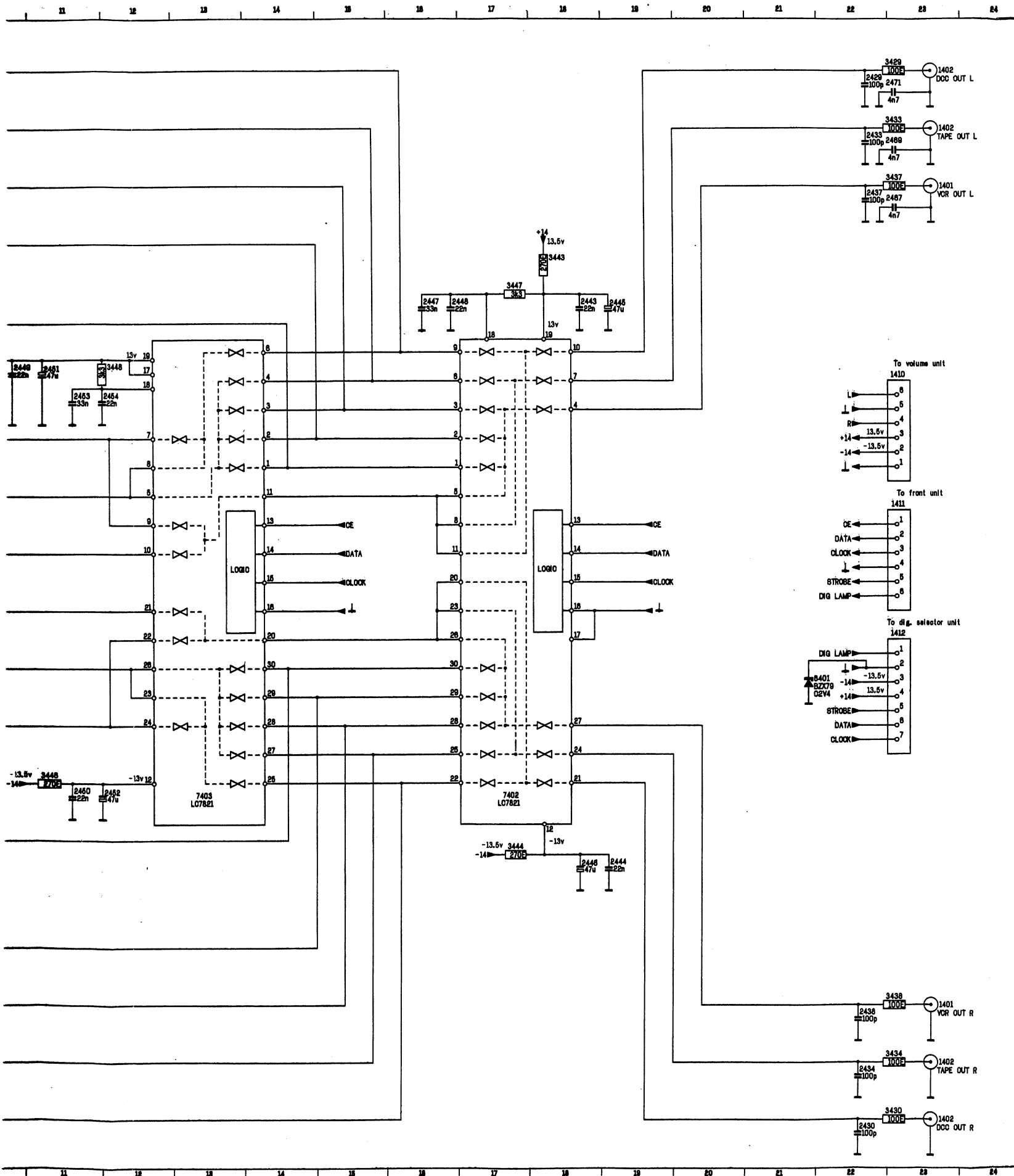
120U	B 4	180B	F25	1822	K20	1714	D14	2804	J 4	2810	K 6	2818	K 7	2823	D10	2829	I12	2835	H14	2841	G 4	2863	H23	2860	M 5	3808	D 3	3814	J 5	3820	K 8	3828	L12	3832	O 7	3845	I 9	3851	G10	3855	L10	3861	H12	3869	D10	3875	D 9	3893	B21	3701	K26	3708	G19	3717	L21	3724	I17	3733	O25	37
120U	D 4	1810	F25	1825	K20	1720	D15	2805	I 5	2811	I 8	2817	L 6	2824	J10	2830	J12	2836	K14	2842	D10	2864	B20	2861	M 5	3809	B 5	3815	I 6	3821	I 7	3827	L14	3837	M 5	3846	J 9	3851	J10	3858	L10	3862	K12	3870	E 9	3878	E11	3896	I26	3702	K26	3709	H19	3718	N21	3726	B19	3734	O26	37
1801	N15	1811	E25	1824	K18	2800	C 5	2806	J 5	2812	J 8	2818	H 3	2825	H10	2831	H12	2837	H14	2843	D10	2867	C21	3800	C 8	3810	D 5	3816	K 6	3822	J 7	3828	L13	3838	M 5	3847	J 9	3852	L10	3857	O11	3865	H14	3871	E 9	3877	F13	3897	I26	3703	L27	3710	H19	3718	N21	3726	O24	3739	O25	37
1808	E25	1812	F25	1825	K21	2801	B 4	2807	I 6	2813	H 7	2819	O 7	2826	K10	2832	I12	2838	F14	2844	D11	2868	C21	3805	A 4	3811	I 5	3817	H 6	3823	L11	3829	L14	3839	M 5	3848	I 9	3853	L10	3858	L11	3866	K14	3872	F 8	3878	O 4	3898	J26	3704	I18	3711	H26	3720	L21	3730	O17	3740	C25	37
1817	F25	1820	K17	1828	K18	2802	D 4	2808	J 6	2814	K 7	2821	Q 7	2827	H11	2833	I 3	2839	F 4	2845	D11	2870	L23	3806	C 4	3812	J 5	3818	H 6	3824	L10	3830	L10	3840	M 3	3849	I 9	3853	O10	3859	I11	3867	H10	3873	E10	3879	O 5	3899	J26	3705	I19	3714	H26	3721	N21	3731	O18	3741	C24	37
1806	E25	1821	K18	1702	O18	2803	I 4	2809	H 6	2815	H 7	2822	J 9	2828	K11	2834	J13	2840	F 5	2846	C26	2872	H23	3807	B 3	3813	I 5	3819	H 6	3825	L12	3831	L 5	3841	M 3	3850	L 9	3854	J10	3860	J11	3868	K10	3874	E10	3880	E12	3700	J26	3706	H19	3716	N21	3722	K17	3732	O25	3742	C24	37



ES-UNIT MAINLAY RED
3104-217-29300.PROC.SERV. C.A.D. 91-10-09

2819	K 6	2816	K 7	2823	G10	2829	I12	2835	H14	2841	O 4	2863	H23	2880	H 5	3608	D 3	3614	J 5	3620	K 8	3626	L12	3632	O 7	3645	I 9	3651	O10	3655	I10	3661	H12	3669	D10	3675	O 9	3683	B21	3701	K26	3708	O19	3717	L21	3724	I17	3733	O25	3744	C20	3752	L13	6805	O 7	6811	E12	6832	E24	6838	I26	6844	H26	6851	H15	6703	K17	7803	I 6	7810	E 4	7839	C24	7845	L21	9812	O18
2811	I 8	2817	L 6	2824	J10	2830	J12	2836	H14	2842	D10	2864	B20	2881	H 5	3609	B 2	3615	I 5	3621	J 7	3627	L14	3637	H 5	3646	J 9	3651	J10	3656	L10	3662	H12	3670	E 9	3676	E11	3686	I26	3702	K28	3709	H19	3718	H21	3726	O19	3734	O28	3745	O22	3753	L15	6806	H 3	6812	F14	6833	F24	6839	K26	6845	K26	6852	H13	6704	J16	7804	C 5	7811	E11	7840	L17	7846	L19	9813	O18
2813	H 7	2819	O 7	2826	K10	2832	K12	2838	K14	2844	D11	2868	C21	3605	A 4	3611	I 5	3617	H 6	3623	L11	3629	L14	3639	H 4	3648	I 9	3652	L10	3658	L11	3666	K14	3672	F 9	3678	O 4	3688	J26	3704	I18	3711	H26	3720	L21	3730	O17	3740	C23	3747	B 8	6801	C 5	6808	I16	6814	F 4	6835	J26	6841	K26	6847	K26	6706	C26	6708	K16	7807	H 5	7831	I16	7842	L20	7848	H24		
2814	K 7	2821	O 9	2827	H11	2833	I13	2839	F 4	2861	B19	2870	L23	3606	C 4	3612	J 5	3618	K 6	3624	L10	3630	L14	3640	H 3	3649	I 9	3653	O10	3659	I11	3667	H10	3673	E10	3679	O 5	3689	J26	3705	I19	3714	H26	3721	H21	3731	O18	3741	C24	3750	L 9	6803	N 4	6809	D10	6815	O 5	6836	J26	6842	L26	6848	J16	6701	J17	7801	B 4	7808	N 5	7833	B20	7843	L20	7849	O24		
2815	H 7	2822	J 8	2828	K11	2834	J15	2840	F 5	2862	C26	2872	H23	3607	B 3	3613	I 5	3619	H 6	3625	L12	3631	L 5	3641	N 5	3650	L 9	3654	J10	3660	J11	3668	K10	3674	E10	3680	E12	3700	J26	3706	H19	3716	H21	3722	K17	3732	O25	3742	C24	3751	L11	6804	L 5	6810	D10	6816	O 4	6837	I26	6843	L26	6850	N19	6702	D 4	7809	I13	7836	O24	7844	L17	7850	F20				

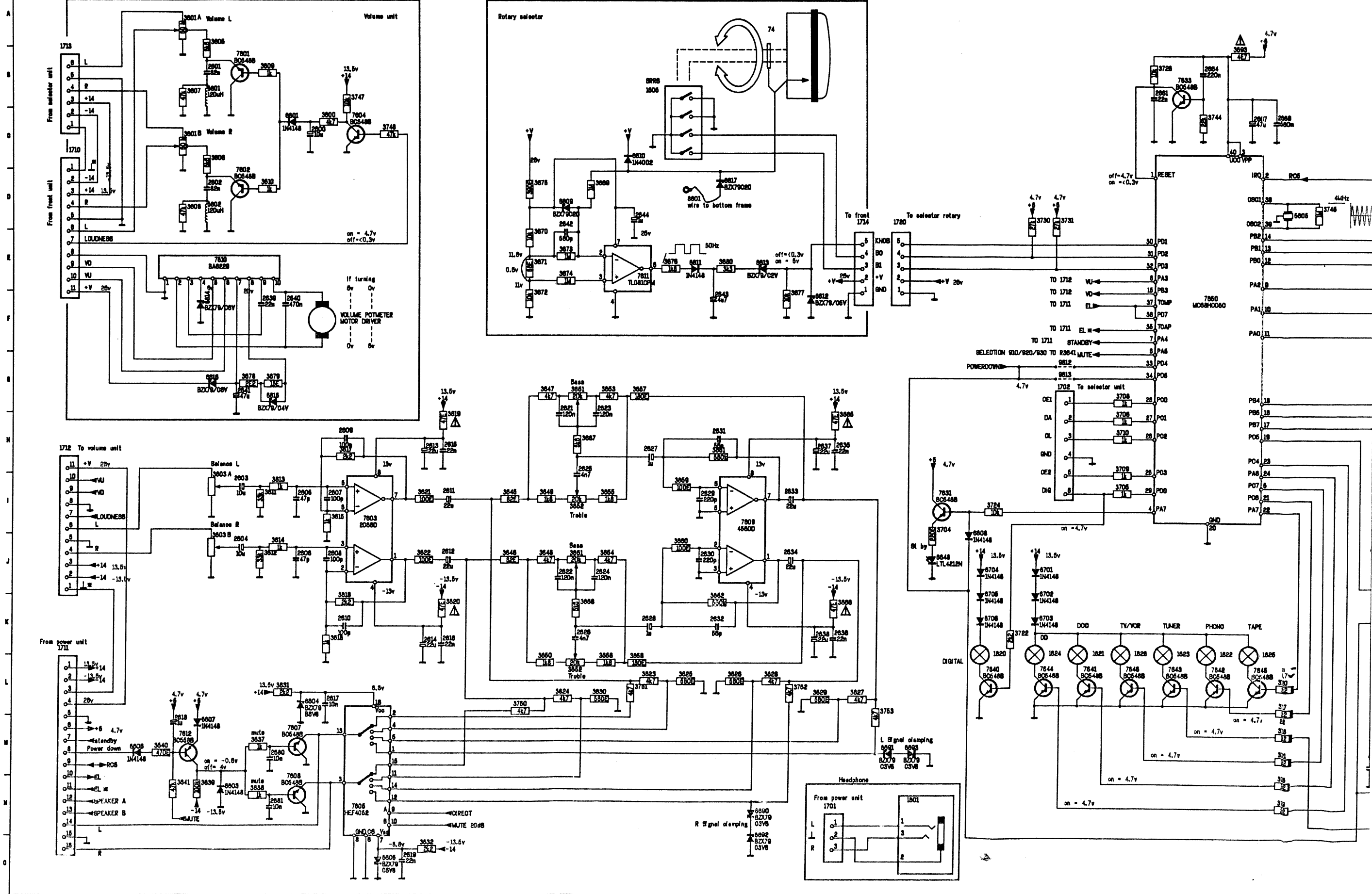




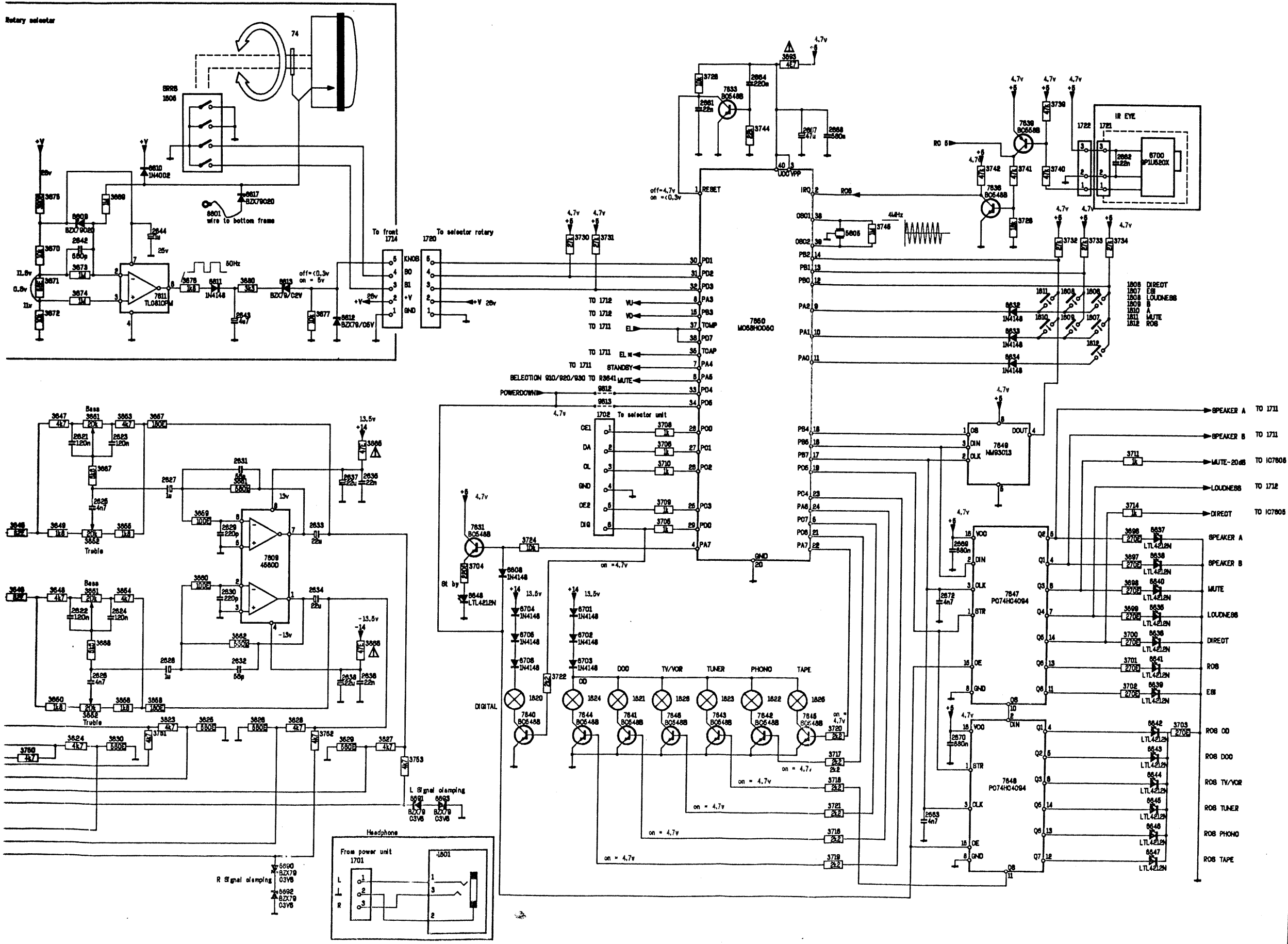
P23
 Q23
 R23
 S23
 T23
 U23
 V23
 W23
 X23
 Y23
 Z23
 AA23
 AB23
 AC23
 AD23
 AE23
 AF23
 AG23
 AH23
 AI23
 AJ23
 AK23
 AL23
 AM23
 AN23
 AO23
 AP23
 AQ23
 AR23
 AS23
 AT23
 AU23
 AV23
 AW23
 AX23
 AY23
 AZ23
 BA23
 BB23
 BC23
 BD23
 BE23
 BF23
 BG23
 BH23
 BI23
 BJ23
 BK23
 BL23
 BM23
 BN23
 BO23
 BP23
 BQ23
 BR23
 BS23
 BT23
 BU23
 BV23
 BW23
 BX23
 BY23
 BZ23
 CA23
 CB23
 CC23
 CD23
 CE23
 CF23
 CG23
 CH23
 CI23
 CJ23
 CK23
 CL23
 CM23
 CN23
 CO23
 CP23
 CQ23
 CR23
 CS23
 CT23
 CU23
 CV23
 CW23
 CX23
 CY23
 CZ23
 DA23
 DB23
 DC23
 DD23
 DE23
 DF23
 DG23
 DH23
 DI23
 DJ23
 DK23
 DL23
 DM23
 DN23
 DO23
 DP23
 DQ23
 DR23
 DS23
 DT23
 DU23
 DV23
 DW23
 DX23
 DY23
 DZ23
 EA23
 EB23
 EC23
 ED23
 EE23
 EF23
 EG23
 EH23
 EI23
 EJ23
 EK23
 EL23
 EM23
 EN23
 EO23
 EP23
 EQ23
 ER23
 ES23
 ET23
 EU23
 EV23
 EW23
 EX23
 EY23
 EZ23
 FA23
 FB23
 FC23
 FD23
 FE23
 FF23
 FG23
 FH23
 FI23
 FJ23
 FK23
 FL23
 FM23
 FN23
 FO23
 FP23
 FQ23
 FR23
 FS23
 FT23
 FU23
 FV23
 FW23
 FX23
 FY23
 FZ23
 GA23
 GB23
 GC23
 GD23
 GE23
 GF23
 GG23
 GH23
 GI23
 GJ23
 GK23
 GL23
 GM23
 GN23
 GO23
 GP23
 GQ23
 GR23
 GS23
 GT23
 GU23
 GV23
 GW23
 GX23
 GY23
 GZ23
 HA23
 HB23
 HC23
 HD23
 HE23
 HF23
 HG23
 HH23
 HI23
 HJ23
 HK23
 HL23
 HM23
 HN23
 HO23
 HP23
 HQ23
 HR23
 HS23
 HT23
 HU23
 HV23
 HW23
 HX23
 HY23
 HZ23
 IA23
 IB23
 IC23
 ID23
 IE23
 IF23
 IG23
 IH23
 II23
 IJ23
 IK23
 IL23
 IM23
 IN23
 IO23
 IP23
 IQ23
 IR23
 IS23
 IT23
 IU23
 IV23
 IW23
 IX23
 IY23
 IZ23
 JA23
 JB23
 JC23
 JD23
 JE23
 JF23
 JG23
 JH23
 JI23
 JJ23
 JK23
 JL23
 JM23
 JN23
 JO23
 JP23
 JQ23
 JR23
 JS23
 JT23
 JU23
 JV23
 JW23
 JX23
 JY23
 JZ23
 KA23
 KB23
 KC23
 KD23
 KE23
 KF23
 KG23
 KH23
 KI23
 KJ23
 KK23
 KL23
 KM23
 KN23
 KO23
 KP23
 KQ23
 KR23
 KS23
 KT23
 KU23
 KV23
 KW23
 KX23
 KY23
 KZ23
 LA23
 LB23
 LC23
 LD23
 LE23
 LF23
 LG23
 LH23
 LI23
 LJ23
 LK23
 LL23
 LM23
 LN23
 LO23
 LP23
 LQ23
 LR23
 LS23
 LT23
 LU23
 LV23
 LW23
 LX23
 LY23
 LZ23
 MA23
 MB23
 MC23
 MD23
 ME23
 MF23
 MG23
 MH23
 MI23
 MJ23
 MK23
 ML23
 MM23
 MN23
 MO23
 MP23
 MQ23
 MR23
 MS23
 MT23
 MU23
 MV23
 MW23
 MX23
 MY23
 MZ23
 NA23
 NB23
 NC23
 ND23
 NE23
 NF23
 NG23
 NH23
 NI23
 NJ23
 NK23
 NL23
 NM23
 NO23
 NP23
 NQ23
 NR23
 NS23
 NT23
 NU23
 NV23
 NW23
 NX23
 NY23
 NZ23
 OA23
 OB23
 OC23
 OD23
 OE23
 OF23
 OG23
 OH23
 OI23
 OJ23
 OK23
 OL23
 OM23
 ON23
 OO23
 OP23
 OQ23
 OR23
 OS23
 OT23
 OU23
 OV23
 OW23
 OX23
 OY23
 OZ23
 PA23
 PB23
 PC23
 PD23
 PE23
 PF23
 PG23
 PH23
 PI23
 PJ23
 PK23
 PL23
 PM23
 PN23
 PO23
 PP23
 PQ23
 PR23
 PS23
 PT23
 PU23
 PV23
 PW23
 PX23
 PY23
 PZ23
 QA23
 QB23
 QC23
 QD23
 QE23
 QF23
 QG23
 QH23
 QI23
 QJ23
 QK23
 QL23
 QM23
 QN23
 QO23
 QP23
 QQ23
 QR23
 QS23
 QT23
 QU23
 QV23
 QW23
 QX23
 QY23
 QZ23
 RA23
 RB23
 RC23
 RD23
 RE23
 RF23
 RG23
 RH23
 RI23
 RJ23
 RK23
 RL23
 RM23
 RN23
 RO23
 RP23
 RQ23
 RR23
 RS23
 RT23
 RU23
 RV23
 RW23
 RX23
 RY23
 RZ23
 SA23
 SB23
 SC23
 SD23
 SE23
 SF23
 SG23
 SH23
 SI23
 SJ23
 SK23
 SL23
 SM23
 SN23
 SO23
 SP23
 SQ23
 SR23
 SS23
 ST23
 SU23
 SV23
 SW23
 SX23
 SY23
 SZ23
 TA23
 TB23
 TC23
 TD23
 TE23
 TF23
 TG23
 TH23
 TI23
 TJ23
 TK23
 TL23
 TM23
 TN23
 TO23
 TP23
 TQ23
 TR23
 TS23
 TU23
 TV23
 TW23
 TX23
 TY23
 TZ23
 UA23
 UB23
 UC23
 UD23
 UE23
 UF23
 UG23
 UH23
 UI23
 UJ23
 UK23
 UL23
 UM23
 UN23
 UO23
 UP23
 UQ23
 UR23
 US23
 UT23
 UV23
 UW23
 UX23
 UY23
 UZ23
 VA23
 VB23
 VC23
 VD23
 VE23
 VF23
 VG23
 VH23
 VI23
 VJ23
 VK23
 VL23
 VM23
 VN23
 VO23
 VP23
 VQ23
 VR23
 VS23
 VT23
 VU23
 VV23
 VW23
 VX23
 VY23
 VZ23
 WA23
 WB23
 WC23
 WD23
 WE23
 WF23
 WG23
 WH23
 WI23
 WJ23
 WK23
 WL23
 WM23
 WN23
 WO23
 WP23
 WQ23
 WR23
 WS23
 WT23
 WU23
 WV23
 WW23
 WX23
 WY23
 WZ23
 XA23
 XB23
 XC23
 XD23
 XE23
 XF23
 XG23
 XH23
 XI23
 XJ23
 XK23
 XL23
 XM23
 XN23
 XO23
 XP23
 XQ23
 XR23
 XS23
 XT23
 XU23
 XV23
 XW23
 XX23
 XY23
 XZ23
 YA23
 YB23
 YC23
 YD23
 YE23
 YF23
 YG23
 YH23
 YI23
 YJ23
 YK23
 YL23
 YM23
 YN23
 YO23
 YP23
 YQ23
 YR23
 YS23
 YT23
 YU23
 YV23
 YW23
 YX23
 YZ23
 ZA23
 ZB23
 ZC23
 ZD23
 ZE23
 ZF23
 ZG23
 ZH23
 ZI23
 ZJ23
 ZK23
 ZL23
 ZM23
 ZN23
 ZO23
 ZP23
 ZQ23
 ZR23
 ZS23
 ZT23
 ZU23
 ZV23
 ZW23
 ZX23
 ZY23
 ZZ23

120U	B 4	1008	F25	1822	K20	1714	D14	2804	J 4	2810	K 8	2816	K 7	2823	D10	2829	I12	2835	H14	2841	B 4	2848	K23	2872	J23	3807	B 3	3813	I 5	3818	H 8	3825	L12	3831	L 5	3841	M 3	3850	L 8	3854	J10	3860	J11	3866	K10	3874	E10	3880	E12	3700	J26	3708	H19	3718	H21	3722	H17	3732	D25	3742	C24	3751	L11	8804	L 5	8810	C11	8818	B 4	8838	J28	88
120U	D 4	1810	F25	1823	K20	1720	D15	2805	I 5	2811	I 8	2817	L 6	2824	J10	2830	I12	2836	K14	2842	D10	2848	K20	2860	H 5	3808	D 3	3814	J 5	3820	K 8	3828	L12	3832	D 7	3842	I 8	3851	G10	3855	I10	3861	H12	3866	D10	3872	D 8	3882	E21	3701	K23	3708	H18	3717	L21	3724	I17	3733	D25	3744	C20	3752	L13	8805	B 7	8811	D16	8837	I28	88		
1801	M15	1811	E25	1824	K18	2800	C 5	2806	J 5	2812	J 8	2818	H 3	2825	H10	2831	H12	2837	H14	2844	F12	2857	C21	2861	H 5	3806	B 5	3812	I 7	3827	L14	3837	H 5	3846	J 8	3851	J10	3856	L10	3862	K12	3870	E 8	3876	E11	3886	I28	3702	K28	3708	H19	3718	H21	3728	D18	3738	D28	3748	C22	3753	L15	8806	H 3	8812	F14	8832	F24	8838	K28	88		
1806	E25	1812	F25	1825	K21	2801	B 4	2807	I 8	2813	H 7	2819	H 3	2826	K10	2832	K12	2838	K14	2844	D11	2859	C21	2860	C 8	3810	D 5	3816	K 8	3822	J 7	3829	L18	3838	H 6	3847	G 8	3852	I10	3857	H11	3863	H14	3871	E 8	3877	F13	3887	I23	3703	L27	3710	H18	3718	H21	3728	D24	3738	D25	3748	C 7	3806	D21	8807	H 4	8813	F13	8832	F24	8838	K28	88
1807	F25	1820	H17	1828	K18	2802	D 4	2808	J 8	2814	K 7	2821	H 7	2827	H11	2833	I13	2839	F 4	2846	H18	2859	I23	3805	C 4	3811	I 5	3817	H 8	3823	L11	3829	L14	3838	H 4	3848	I 8	3852	L10	3858	L11	3864	K14	3872	F 8	3878	B 4	3888	J28	3704	I18	3711	H28	3720	L21	3730	D17	3740	C25	3747	L 8	8801	C 5	8808	I18	8814	F 4	8834	F24	8840	J28	88
1808	E25	1821	K18	1702	D18	2803	I 4	2809	H 8	2815	H 7	2822	J 8	2828	K11	2834	J13	2840	F 5	2848	C28	2859	L23	3808	C 4	3812	J 5	3818	H 8	3824	L10	3830	L10	3840	H 3	3848	I 8	3853	G10	3858	I11	3867	H18	3875	E10	3879	B 5	3888	J28	3705	I19	3714	H28	3721	H21	3731	D18	3741	C24	3747	L 8	8803	H 4	8809	D10	8815	D 5	8835	J28	8841	K28	88

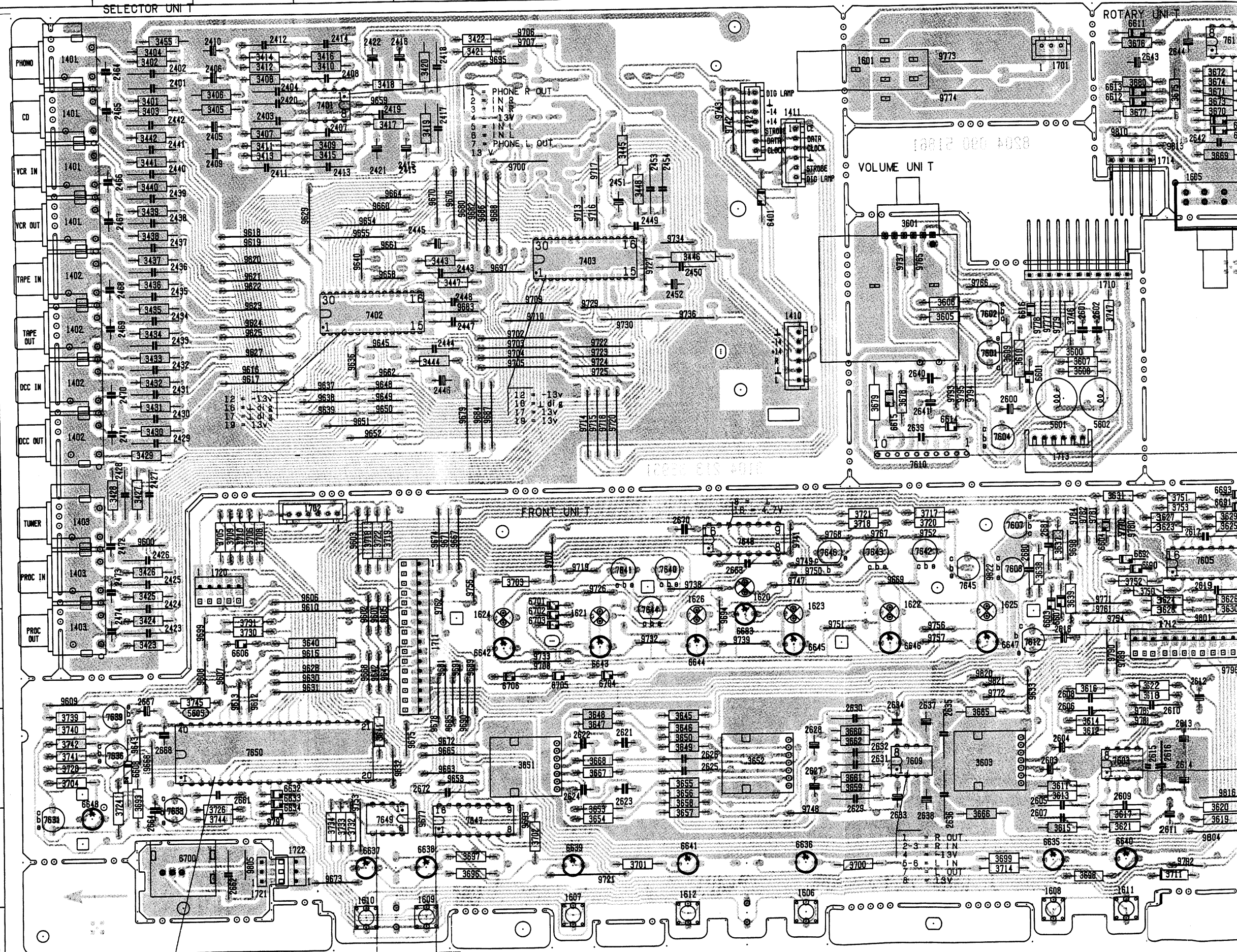
FRONT UNIT



3607	B 3	3613	I 5	3618	H 6	3625	L12	3631	L 5	3641	H 3	3650	L 6	3654	J10	3660	K10	3674	E10	3680	E12	3700	J28	3708	H18	3718	H21	3722	K17	3732	D25	3742	C24	3751	L11	8804	L 5	8810	C11	8818	0 4	8836	J28	8842	L28	8848	J18	8701	J17	7801	B 4	7808	H 5	7833	B20	7843	L20	7848	B24	3608	B 3	3614	J 5	3620	K 6	3628	L12	3632	0 7	3645	I 9	3651	010	3655	I10	3661	H12	3668	D10	3675	D 9	3683	B21	3701	K28	3708	H18	3717	L21	3724	I17	3733	D25	3744	C20	3752	L13	8805	0 7	8811	E11	8817	D12	8837	I28	8843	L28	8850	H13	8702	J17	7802	I 4	7809	I13	7838	D24	7844	L17	7850	F20	3609	B 3	3615	I 7	3621	J 7	3627	L14	3637	H 5	3646	J 9	3651	J10	3658	L10	3662	K12	3670	F 8	3678	E11	3686	I28	3702	K28	3708	H18	3718	H21	3728	B18	3734	D28	3745	D22	3753	L15	8806	H 3	8812	F14	8832	C24	8839	K28	8844	H28	8851	H15	8703	J18	7803	I 8	7810	E 4	7839	C24	7845	L21	8812	B18	3616	K 6	3622	J 7	3628	L15	3638	H 5	3647	0 8	3652	I10	3657	B11	3666	K14	3672	F 8	3679	0 4	3688	J28	3704	I16	3711	H28	3720	L21	3730	D17	3740	C25	3747	B 8	8801	C 5	8808	I18	8814	F 4	8834	F24	8840	J28	8846	H28	8853	H15	8705	J18	7805	H 6	7812	H 3	7841	L18	7847	J24	3617	I 5	3623	L11	3629	L14	3639	H 4	3648	J 9	3653	010	3659	I11	3667	H10	3673	E10	3679	B 5	3688	J28	3705	I18	3714	H28	3721	B21	3731	D18	3741	C24	3750	L 9	8809	010	8815	0 5	8835	J28	8841	K28	8847	H28	8706	C28	8708	K18	7807	H 5	7831	I18	7842	L20	7848	H24	3618	K 6	3624	L10	3630	L10	3640	H 3	3649	I 9	3653	010	3659	I11	3667	H10	3673	E10	3679	B 5	3688	J28	3705	I18	3714	H28	3721	B21	3731	D18	3741	C24	3750	L 9	8809	010	8815	0 5	8835	J28	8841	K28	8847	H28	8706	C28	8708	K18	7807	H 5	7831	I18	7842	L20	7848	H24
------	-----	------	-----	------	-----	------	-----	------	-----	------	-----	------	-----	------	-----	------	-----	------	-----	------	-----	------	-----	------	-----	------	-----	------	-----	------	-----	------	-----	------	-----	------	-----	------	-----	------	-----	------	-----	------	-----	------	-----	------	-----	------	-----	------	-----	------	-----	------	-----	------	-----	------	-----	------	-----	------	-----	------	-----	------	-----	------	-----	------	-----	------	-----	------	-----	------	-----	------	-----	------	-----	------	-----	------	-----	------	-----	------	-----	------	-----	------	-----	------	-----	------	-----	------	-----	------	-----	------	-----	------	-----	------	-----	------	-----	------	-----	------	-----	------	-----	------	-----	------	-----	------	-----	------	-----	------	-----	------	-----	------	-----	------	-----	------	-----	------	-----	------	-----	------	-----	------	-----	------	-----	------	-----	------	-----	------	-----	------	-----	------	-----	------	-----	------	-----	------	-----	------	-----	------	-----	------	-----	------	-----	------	-----	------	-----	------	-----	------	-----	------	-----	------	-----	------	-----	------	-----	------	-----	------	-----	------	-----	------	-----	------	-----	------	-----	------	-----	------	-----	------	-----	------	-----	------	-----	------	-----	------	-----	------	-----	------	-----	------	-----	------	-----	------	-----	------	-----	------	-----	------	-----	------	-----	------	-----	------	-----	------	-----	------	-----	------	-----	------	-----	------	-----	------	-----	------	-----	------	-----	------	-----	------	-----	------	-----	------	-----	------	-----	------	-----	------	-----	------	-----	------	-----	------	-----	------	-----	------	-----	------	-----	------	-----	------	-----	------	-----	------	-----	------	-----	------	-----	------	-----	------	-----	------	-----	------	-----	------	-----	------	-----	------	-----	------	-----	------	-----	------	-----	------	-----	------	-----	------	-----	------	-----	------	-----	------	-----	------	-----	------	-----	------	-----	------	-----	------	-----	------	-----	------	-----	------	-----	------	-----	------	-----	------	-----	------	-----	------	-----	------	-----	------	-----	------	-----	------	-----



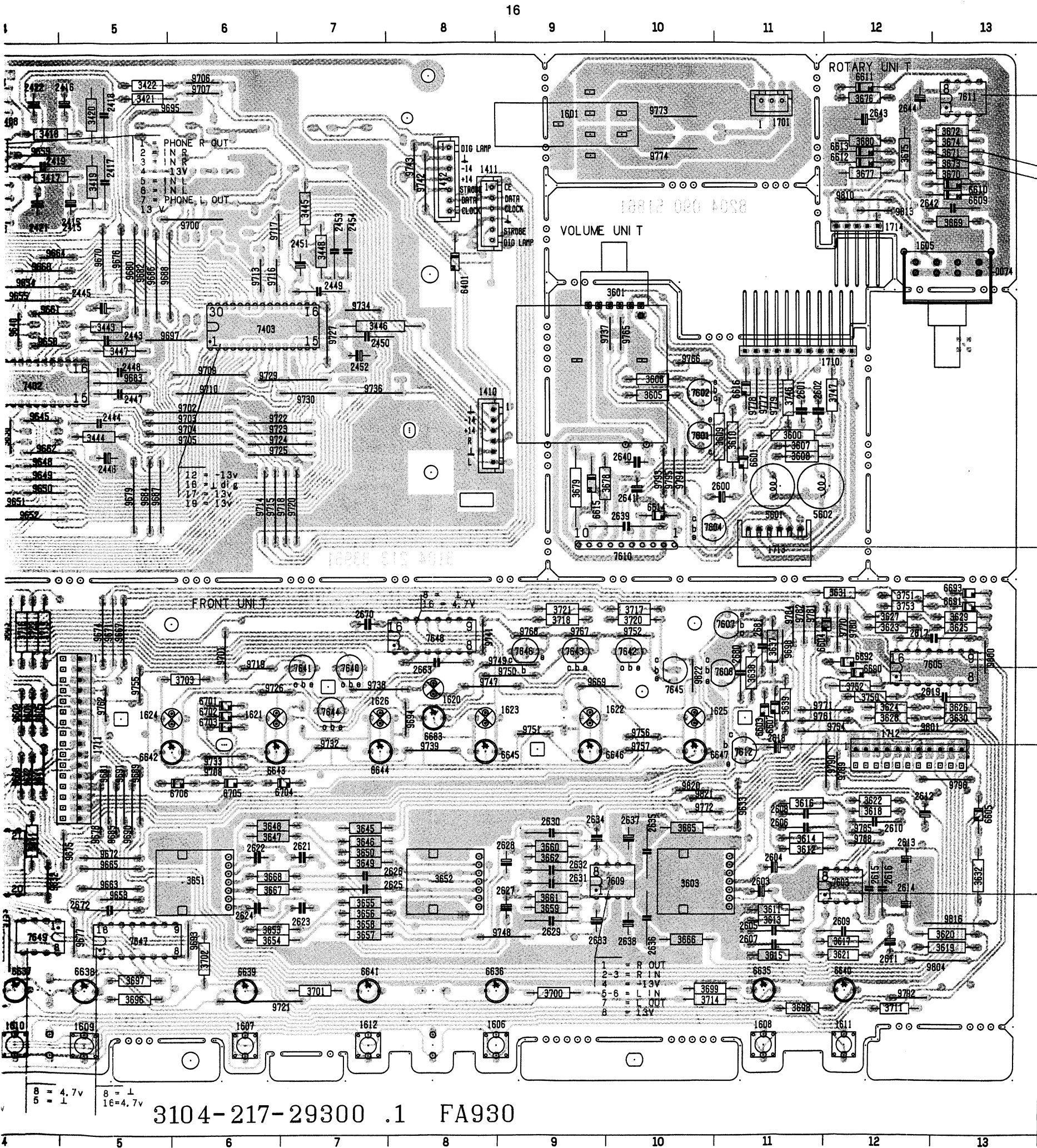
0074	C13	2601	D11	3608	D11	5601	E11	9637	D 4	9766	C10
1401	R 1	2602	D11	3609	D11	5602	E11	9638	D 4	9767	F 9
1401	R 1	2603	H11	3610	D11	5605	H 2	9639	E 4	9768	F 9
1401	B 1	2604	H11	3611	H11	6401	C 8	9640	C 4	9770	F12
1401	C 1	2605	H11	3612	H11	6801	D11	9641	G 4	9771	G11
1402	C 1	2606	H11	3613	H11	6803	D11	9642	G 4	9772	H10
1402	D 1	2607	H11	3614	H11	6804	F11	9643	H 2	9773	H10
1402	D 1	2608	H11	3615	H11	6805	H13	9645	D 4	9774	B10
1402	E 1	2609	H12	3616	G11	6806	G 3	9648	D 4	9777	D11
1403	F 1	2610	H12	3617	H12	6807	G11	9649	D 4	9778	D11
1403	F 1	2611	H12	3618	H12	6808	H 2	9650	E 4	9779	D11
1403	G 1	2612	G12	3619	H13	6809	B13	9651	E 4	9780	F12
1410	D 8	2613	H12	3620	H13	6810	B13	9652	E 4	9781	F11
1411	B 8	2614	H12	3621	H12	6811	R12	9653	H 5	9782	F11
1412	B 8	2615	H12	3622	G12	6812	R12	9654	C 4	9784	F11
1601	R 9	2616	H12	3623	F12	6813	R12	9655	C 4	9785	H12
1605	H12	2617	F12	3624	G12	6814	E10	9658	C 4	9788	H12
1606	I 8	2618	G11	3625	F13	6815	E 9	9659	B 4	9789	G12
1607	I 6	2619	F12	3626	G13	6816	D11	9660	C 4	9790	G12
1608	H11	2621	H 7	3627	F12	6832	H 5	9661	C 4	9792	H12
1609	I 5	2622	H 6	3628	G12	6833	I 3	9662	D 4	9793	D10
1610	I 4	2623	I 7	3629	F13	6834	I 3	9663	H 5	9794	D10
1611	H12	2624	I 6	3630	G13	6835	H11	9664	B 4	9795	D10
1612	I 7	2625	H 8	3631	F12	6836	H 8	9665	H 5	9796	G13
1620	G 8	2626	H 8	3632	H13	6837	I 4	9666	H 2	9797	I 3
1621	G 6	2627	H 9	3633	F11	6838	H 5	9667	F 5	9800	F13
1622	G10	2628	H 9	3634	F11	6839	H 6	9668	G 4	9801	G12
1623	G 9	2629	I 9	3635	G11	6840	H2	9669	F 9	9804	H13
1624	G 5	2630	H 9	3640	G 4	6841	I 7	9670	B 5	9805	I 3
1625	G11	2631	H 9	3641	H 4	6842	G 5	9671	F 5	9810	B12
1626	G 7	2632	H 9	3645	H 7	6843	G 6	9672	H 5	9813	B12
1701	R11	2633	I 9	3646	H 7	6844	G 7	9673	I 4	9816	H13
1702	F 4	2634	H 9	3647	H 6	6845	G 9	9674	F 5	9820	G10
1710	C12	2635	H10	3648	H 6	6846	G10	9675	H 5	9821	G10
1711	G 5	2636	H10	3649	H 7	6847	G11	9676	B 5	9822	F10
1712	G12	2637	H10	3650	H 7	6848	H 8	9677	I 5		
1713	E11	2638	H10	3651	H 6	6849	G 8	9678	H 5		
1714	B12	2639	E10	3652	H 8	6850	F12	9679	E 5		
1720	F 3	2640	D10	3653	I 6	6851	F13	9680	C 5		
1721	I 3	2641	E10	3654	I 6	6852	F12	9681	G 5		
1722	I 3	2642	G12	3655	H 7	6853	F13	9682	C 5		
2401	R 2	2643	R12	3656	H 7	6700	I 2	9683	D 5		
2402	R 2	2644	R12	3657	I 7	6701	G 6	9684	E 5		
2403	B 3	2661	H 3	3658	I 7	6702	G 6	9685	H 5		
2404	R 3	2662	I 3	3659	H 9	6703	G 6	9686	C 5		
2405	B 3	2663	F 8	3660	H 9	6704	G 7	9687	E 5		
2406	R 3	2664	I 2	3661	H 9	6705	G 6	9688	C 5		
2407	B 4	2667	G 2	3662	H 9	6706	G 6	9689	G 5		
2408	A 4	2668	H 2	3665	H10	7401	B 4	9690	H 5		
2409	B 3	2670	F 7	3666	H10	7402	D 4	9691	G 5		
2410	R 3	2672	H 5	3667	H 6	7403	C 6	9693	I 6		
2411	B 3	2680	F11	3668	H 6	7601	D10	9694	G 8		
2412	R 3	2681	F11	3669	B13	7602	D10	9695	A 6		
2413	B 4	3401	R 2	3670	B13	7603	H12	9697	C 6		
2414	R 4	3402	R 2	3671	B13	7604	E10	9698	H11		
2415	B 5	3403	R 2	3672	B13	7605	F13	9699	G 3		
2416	B 5	3404	R 2	3673	B13	7607	F11	9700	B 6		
2417	B 5	3405	R 3	3674	B13	7608	F11	9701	F 6		
2418	B 5	3406	R 3	3675	B12	7609	H10	9702	D 6		
2419	B 4	3408	R 3	3677	B12	7611	R13	9704	D 6		
2420	R 3	3409	R 4	3678	E10	7612	G11	9705	D 6		
2421	R 4	3410	R 4	3679	E 9	7631	I 1	9706	B 6		
2422	R 4	3411	R 3	3680	R12	7633	I 2	9707	A 6		
2423	G 2	3412	R 3	3693	H 2	7636	B 2	9708	G 6		
2424	G 2	3413	R 3	3696	I 5	7639	B 2	9709	D 6		
2425	F 2	3414	R 3	3697	I 5	7640	F 7	9710	D 6		
2426	F 2	3415	R 4	3698	H11	7641	F 7	9713	C 6		
2427	E 2	3416	R 4	3699	I10	7642	F10	9714	C 6		
2428	E 2	3417	R 4	3700	I 9	7643	F 9	9715	C 6		
2429	E 2	3418	R 4	3701	I 7	7644	G 7	9716	C 6		
2430	E 2	3419	B 5	3702	I 6	7645	F10	9717	B 6		
2431	D 2	3420	R 5	3703	F 6	7646	F 9	9718	F 7		
2432	D 2	3421	R 5	3704	H 1	7647	I 5	9719	F 6		
2433	D 2	3422	R 5	3705	F 3	7648	F 8	9720	E 7		
2434	D 2	3423	G 2	3706	F 3	7649	I 4	9721	I 7		
2435	C 2	3424	G 2	3708	F 3	7650	H 3	9722	D 6		
2436	C 2	3425	F 2	3709	F 3	9600	F 2	9723	D 6		
2437	C 2	3426	F 2	3710	F 3	9601	G 4	9724	D 6		
2438	C 2	3427	E 2	3711	I12	9602	G 4	9725	D 6		
2439	B 2	3428	E 2	3714	H10	9603	F 4	9726	F 6		
2440	B 2	3429	E 2	3716	F10	9604	F 4	9727	C 7		
2441	B 2	3430	E 2	3717	F10	9606	F 4	9729	D 6		
2442	B 2	3431	E 2	3718	F 9	9607	G 3	9732	C 7		
2443	C 5	3432	D 2	3719	F 4	9608	G 3	9733	G 6		
2444	D 5	3433	D 2	3720	F10	9609	G 1	9733	G 6		
2445	C 5	3434	D 2	3721	F 9	9610	G 4	9734	C 7		
2446	D 5	3435	D 2	3722	F 4	9612	G 3	9736	D 7		
2447	D 5	3436	C 2	3724	I 2	9613	G 3	9737	C 9		
2448	C 5	3437	C 2	3726	I 3	9615	G 4	9738	F 7		
2449	C 7	3438	C 2	3728	H 1	9616	D 3	9739	G 8		
2450	C 7	3439	C 2	3730	G 3	9617	D 3	9741	F 8		
2451	B 7	3440	B 2	3731	G 3	9618	C 3	9742	B 8		
2452	B 7	3441	B 2	3732	I 4	9619	C 3	9743	B 8		
2453	B 7	3442	B 2	3733	I 4	9620	C 3	9747	B 8		
2454	B 7	3443	C 5	3734	I 4	9621	C 3	9748	I 9		
2455	B 2	3444	B 7	3740	H 1	9622	C 3	9749	F 9		
2456	B 2	3445	B 7	3740	H 1	9623	C 3	9750	F 9		
2466	C 2	3446	C 7	3741	H 1	9624	D 3	9751	G 9		
2467	C 2	3447	C 5	3742	H 1	9625	D 3	9752	F10		
2468	C 2	3448	B 7	3744	I 3	9627	D 3	9753	H 4		
2469	D 2	3455	R 2	3745	H 2	9628	G 4	9754	G12		
2470	D 2	3600	D11	3746	D11	9629	C 4	9755	F 5		
2471	E 2	3601	C10	3747	D12	9630	C 4	9756	G10		
2472	F 2	3603	H10	3750	G12	9631	C 4	9757	G10		
2473	F 2	3605	D10	3751	F12	9632	H 4	9761	G11		
2474	G 2	3606	D10	3752	F12	9633	G11	9762	G 5		
2600	E11	3607	D11	3753	F12	9636	D 4	9765	C10		



1 = reset on = 0.3v 17 = clock
 2 = mute on = 0v 38 = mhz
 6 = st/by on = 4.7v 40 = 4.7v

8 = 4.7v 8 = 1
 5 = 1 16 = 4.7v

3104-217-29300 .1 FA930



4 = -1
7 = 24v

B 0.6v

C

D

E

1 = -1
4 = 6v
7 = 20v

F

7 = -6.8v
16 = 6.8v

G

e = 4v
c = on = -0.6v
off = 4v

H

1 = R OUT
2-3 = R IN
4 = -13V
5-6 = L IN
7 = L OUT
8 = 13V

I

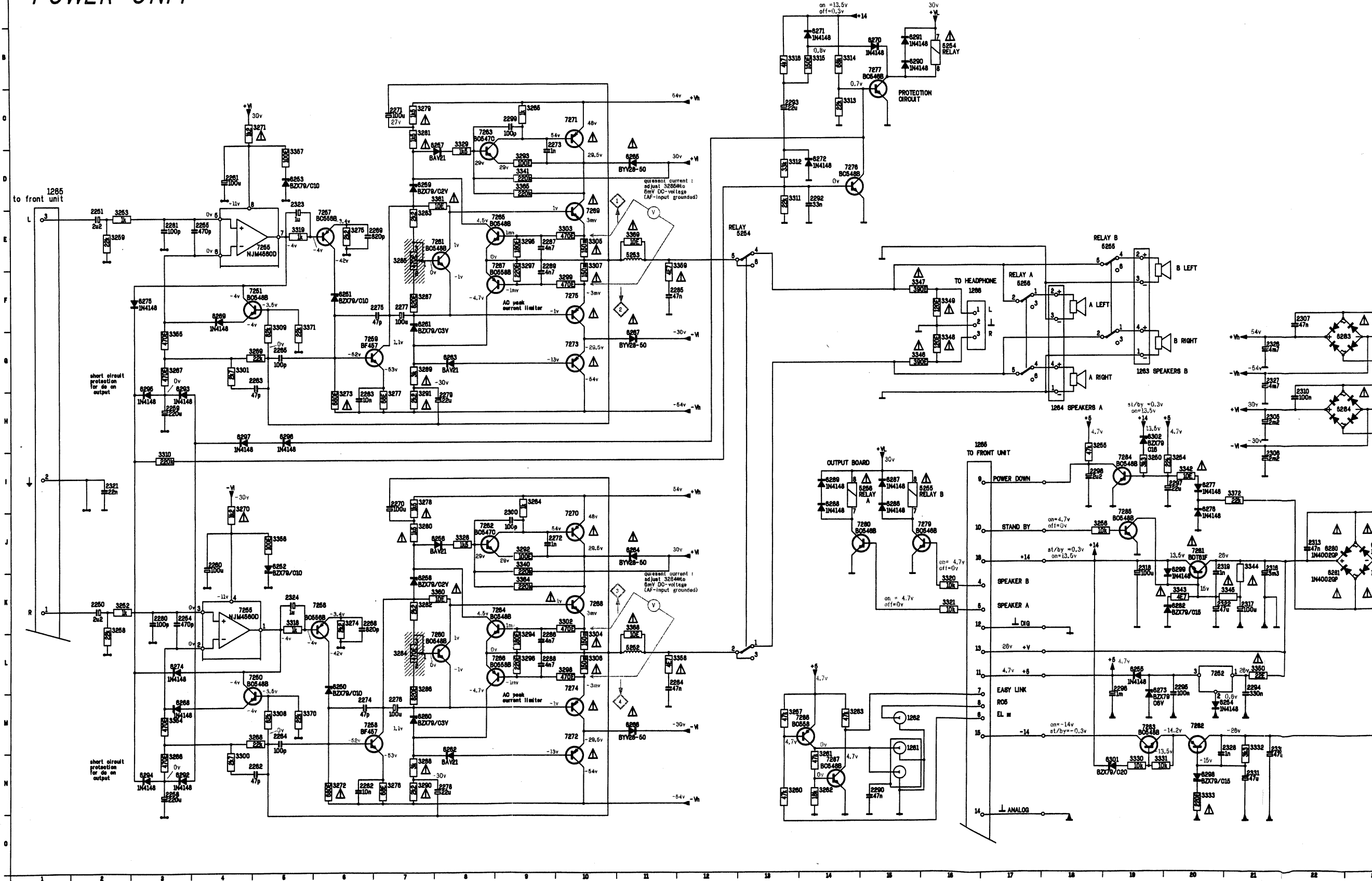
J

8 = 4.7v
5 = 1
8 = 1
16 = 4.7v

3104-217-29300 .1 FA930

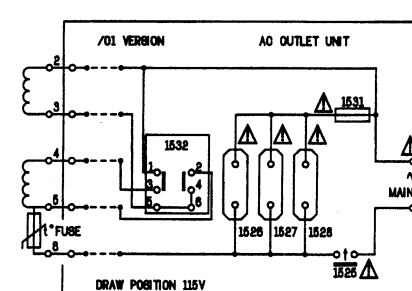
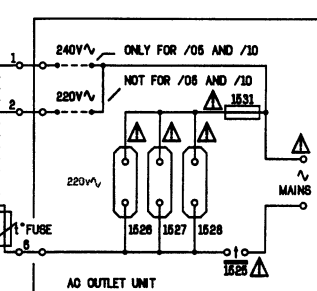
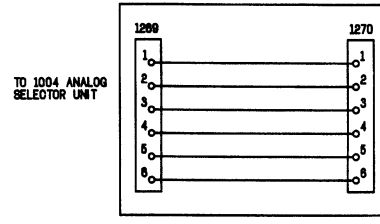
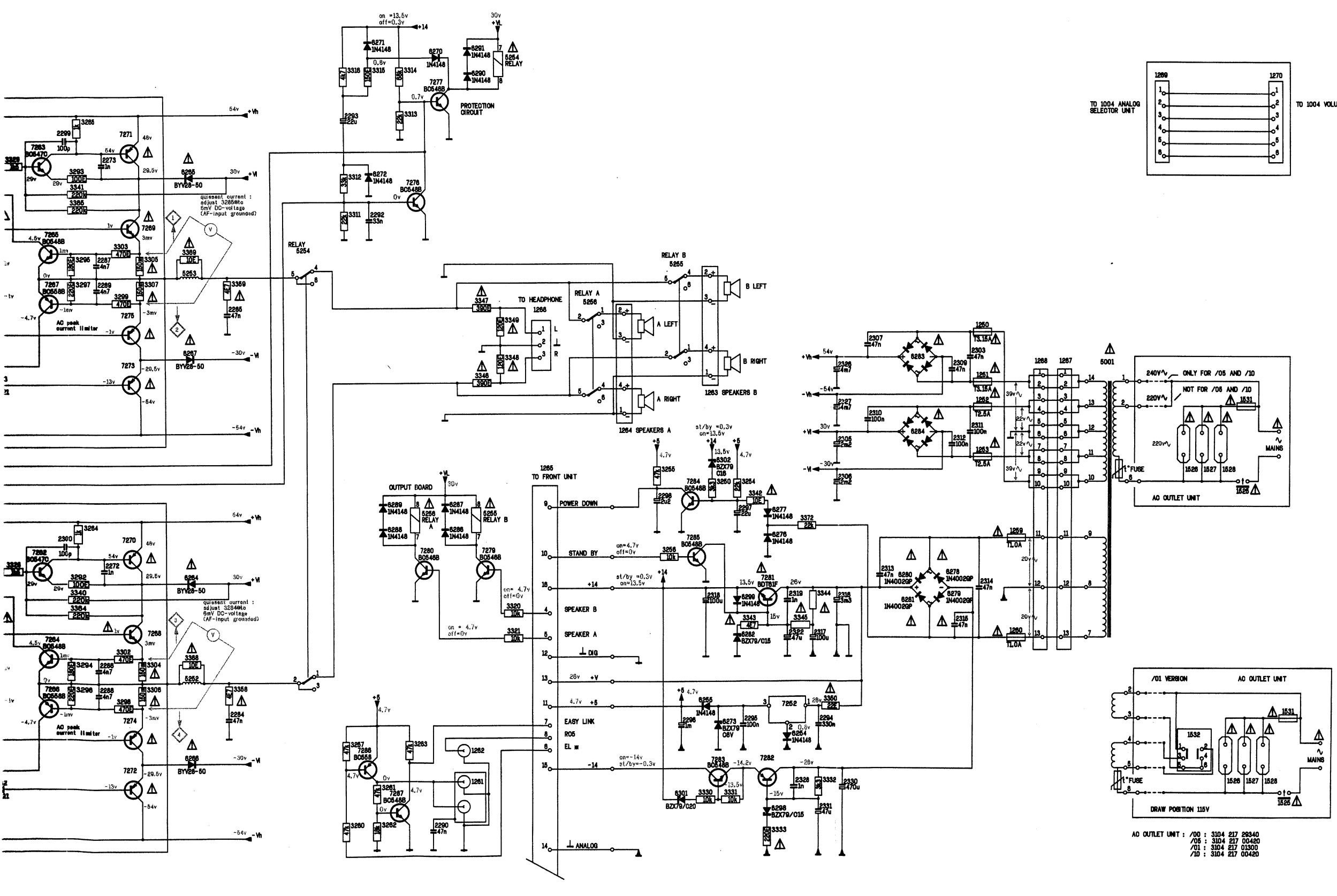
1250	F24	1261	H15	2250	K2	2280	J4	2288	K6	2274	H8	2280	K3	2286	L9	2293	C13	2290	C9	2309	G23	2315	K23	2322	K20	2330	H21	3255	H18	3261	H14	3267	G3	3273	H8	3279	C7	3285	E7	3291	H7	3297	E9	3303	E10	3309	F5	3315	G14	3328	J8	3340	J9	3346	O15	3355	G3	3361	D8	3371	F5	3254	E13	6253	D5	6258	D7	6265	D11	6271	B14	6277	J
1251	G24	1262	H15	2251	E2	2281	D4	2289	E6	2275	F7	2281	E3	2287	E9	2294	L21	2300	J9	2310	H22	2316	J21	2323	D5	2331	H19	3256	H19	3262	H14	3268	H5	3274	H6	3280	J7	3286	L7	3292	D8	3298	F10	3304	L10	3310	I3	3316	K13	3329	C8	3341	D9	3347	F15	3356	J5	3364	K8	3372	I21	6255	F19	6254	M20	6260	H7	6266	H11	6272	D14	6278	J
1252	G24	1265	H18	2254	K3	2282	M5	2270	I7	2278	H7	2282	H6	2288	L9	2295	L20	2303	G23	2311	H23	2317	K21	2324	K5	3250	H19	3257	H19	3263	H14	3269	H5	3275	E8	3281	C7	3287	F7	3293	D9	3299	F10	3305	E10	3311	D13	3318	K15	3330	H19	3342	I20	3348	O16	3357	D5	3365	D9	5001	G28	6250	L6	6256	J8	6262	H8	6268	H3	6274	L3	6280	J
1253	H24	1266	F18	2255	E3	2283	D5	2271	C7	2277	H7	2283	H9	2289	E9	2296	L19	2305	H21	2312	H23	2318	J19	2325	O8	3253	K2	3258	K2	3264	I8	3270	I4	3276	H7	3282	C7	3288	M7	3294	L8	3300	M4	3306	L10	3312	D13	3319	E5	3331	H19	3343	F18	3358	L11	3368	H11	5001	G28	6250	L6	6256	J8	6262	H8	6268	H3	6274	L3	6280	J		
1254	L24	1531	G28	2258	H8	2254	H5	2272	J9	2278	H7	2284	L11	2290	H15	2297	I19	2306	L21	2313	J22	2319	J20	2326	O21	3252	L20	3259	E2	3265	C9	3271	C4	3277	H7	3283	E7	3289	G7	3295	E9	3301	O4	3307	E10	3313	C14	3320	K16	3332	H21	3344	J21	3350	L21	3359	E11	5252	L11	6251	F6	6257	C8	6263	O8	6269	F4	6275	F3	6281	K		
1280	K24	1531	L28	2258	H8	2285	O5	2275	C9	2279	H7	2285	F11	2292	D14	2296	I18	2307	F22	2314	J23	2321	I2	2328	H20	3254	L20	3260	H13	3266	H3	3272	K6	3278	I7	3284	L7	3290	H7	3296	L8	3302	K10	3308	H5	3314	B14	3321	K18	3333	H20	3345	K21	3354	H3	3360	K8	3370	H5	5253	E11	6252	J5	6258	K7	6264	J11	6270	H15	6276	L20	6282	K

POWER UNIT



ES-UNIT BAWLEY RED
3104-217-29270.SRW C.A.D. 91-10-09

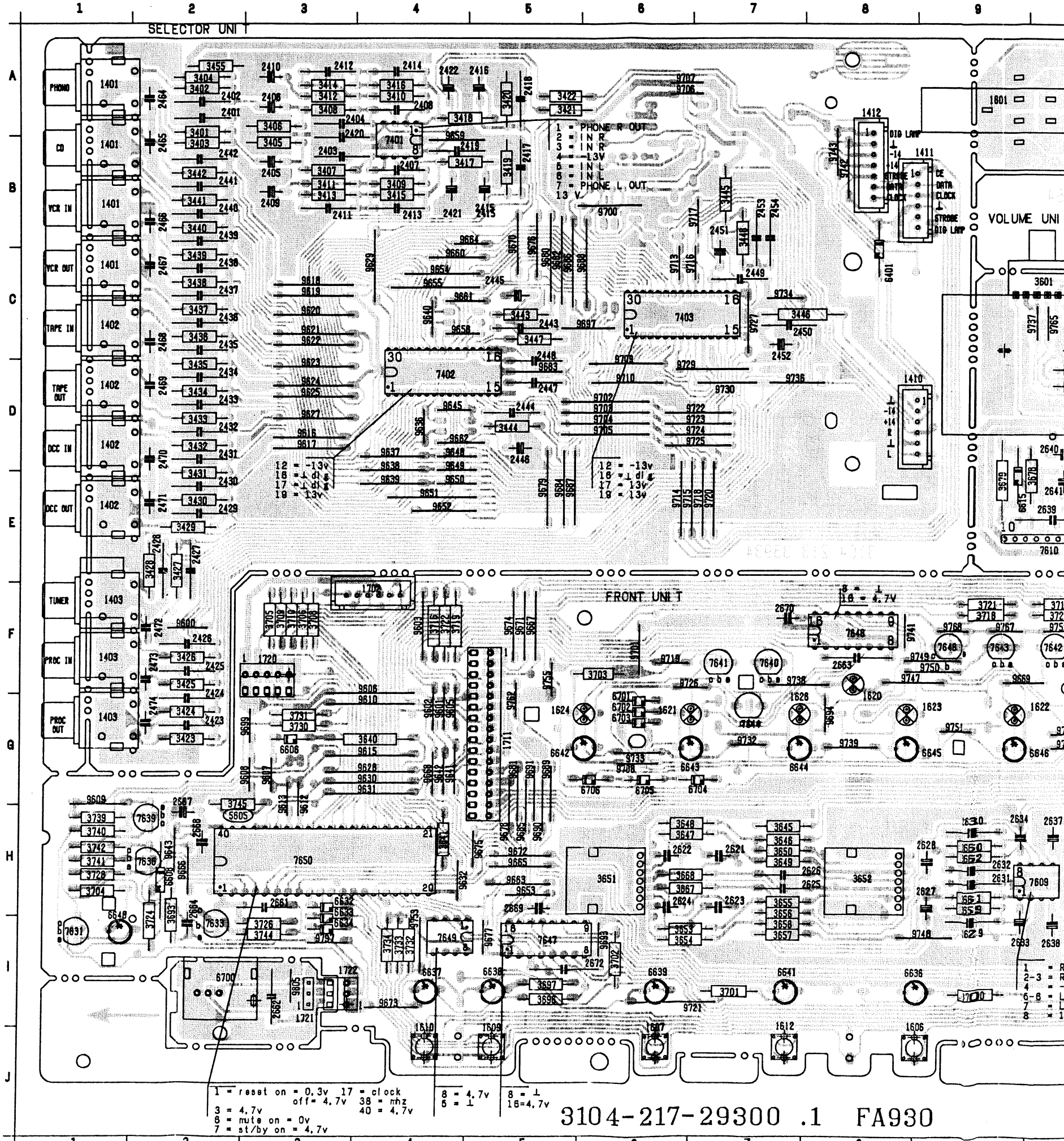
2292	N 5	2330	H 1	3255	H 18	3261	N 14	3267	O 3	3273	H 6	3279	C 7	3285	E 7	3291	H 7	3297	E 9	3303	E 10	3309	F 5	3315	B 14	3321	J 8	3340	J 8	3346	O 15	3352	G 3	3361	O 8	3371	F 5	3254	E 19	6253	O 5	6259	O 7	6265	O 11	6271	B 14	6277	I 20	6283	O 22	6290	B 15	6296	H 5	7250	L 5	7257	E 6	7263	C 8	7269	E 10	7275	F 10	7282	H 20		
2293	D 5	3331	H 21	3256	J 18	3262	N 14	3268	H 5	3274	K 6	3280	J 7	3286	L 7	3292	J 9	3298	L 10	3304	L 10	3310	I 3	3316	B 19	3322	C 8	3341	D 9	3347	F 15	3353	J 5	3364	K 9	3372	I 21	5255	E 19	6254	H 20	6260	H 7	6266	H 11	6272	O 14	6278	J 23	6284	H 22	6291	B 15	6297	H 4	7251	F 5	7258	H 6	7264	K 9	7270	J 10	7276	O 14	7283	H 19		
2294	N 5	3250	I 18	3257	H 13	3263	N 14	3269	O 5	3275	E 6	3281	C 7	3287	F 7	3293	D 8	3299	F 10	3305	E 10	3311	D 13	3318	K 5	3324	H 18	3342	D 9	3348	O 16	3354	D 5	3365	O 9	5001	O 28	5256	F 17	6255	L 18	6261	F 7	6267	O 11	6273	L 18	6279	J 23	6285	H 15	6292	H 3	6298	H 20	7252	L 20	7259	H 8	7265	E 9	7271	C 10	7277	H 15	7284	H 19		
2295	0 1	3252	K 2	3259	K 2	3264	I 9	3270	I 4	3276	H 7	3282	K 7	3288	H 7	3294	L 8	3300	N 4	3306	E 10	3312	O 13	3319	E 5	3325	H 21	3344	J 21	3350	L 21	3359	E 11	3369	E 11	5252	L 11	5253	E 11	6252	J 5	6258	K 7	6264	J 11	6270	B 15	6276	L 20	6282	K 20	6288	H 14	6295	O 3	6302	H 19	7256	K 6	7262	J 8	7268	K 10	7274	L 10	7281	J 20	7287	H 14
2296	0 1	3253	E 2	3258	E 2	3265	C 8	3271	C 4	3277	H 7	3283	E 7	3289	O 7	3295	E 8	3301	G 4	3307	E 10	3313	C 14	3320	K 18	3326	N 20	3345	K 21	3354	N 3	3360	K 8	3370	H 5	5253	E 11	6252	J 5	6258	K 7	6264	J 11	6270	B 15	6276	L 20	6282	K 20	6288	H 14	6295	O 3	6302	H 19	7256	K 6	7262	J 8	7268	K 10	7274	L 10	7281	J 20	7287	H 14		



AD OUTLET UNIT : /00 : 3104 217 29340
 /06 : 3104 217 00480
 /01 : 3104 217 01500
 /10 : 3104 217 00420

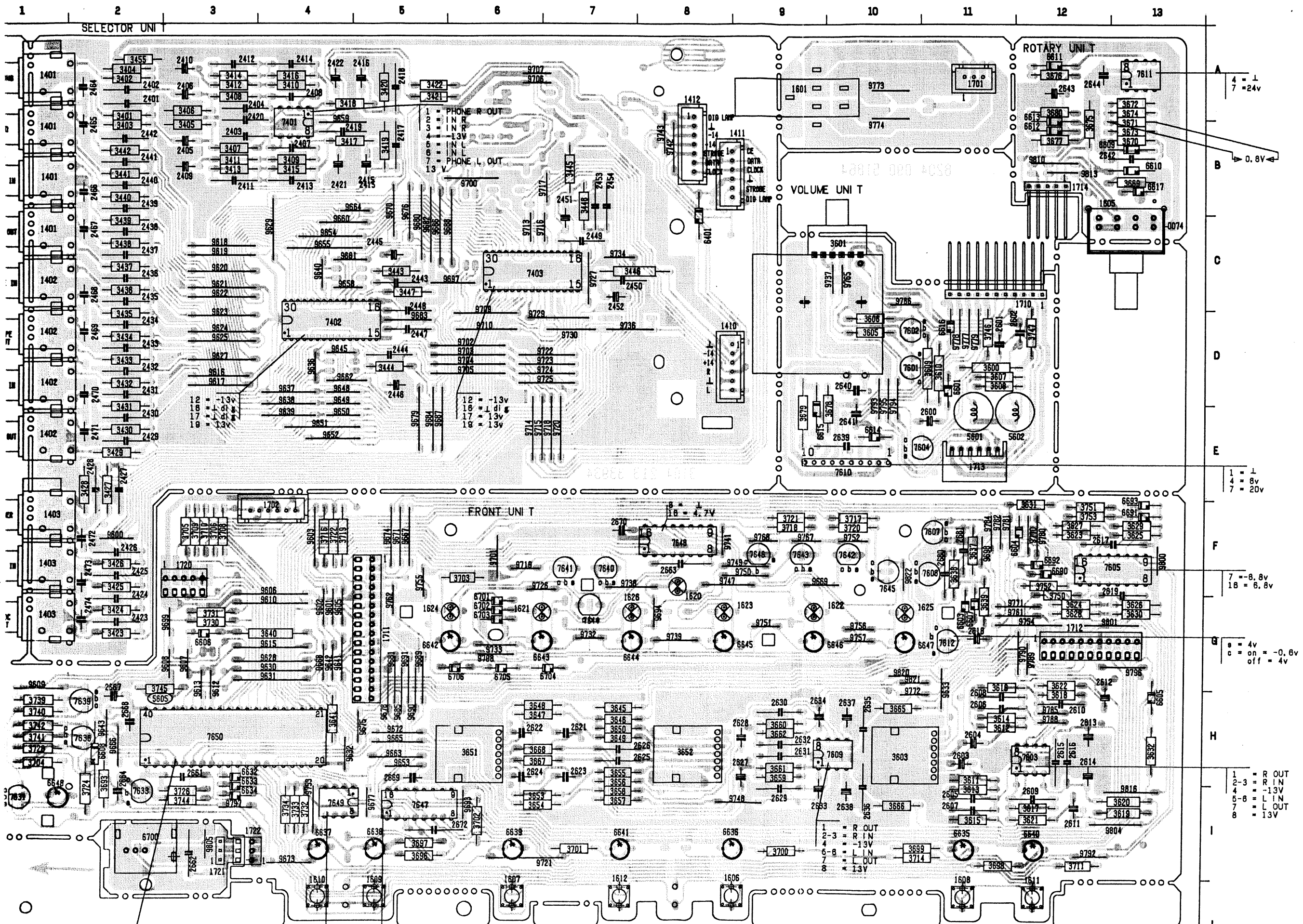
VOOR INBRENGEN VAN SERVICE INFORMATIE
 ZIE PC.3104-217-25630.SERV.EB-UNIT

0074	C13	2801	D11	3607	D11	3753	F12	9636	D 4	9766	C10
1401	A 1	2802	D11	3608	D11	5601	E11	9637	D 4	9767	F 9
1401	B 1	2803	H11	3609	D11	5602	E12	9638	D 4	9768	F 9
1401	B 1	2804	H11	3610	D11	5605	H 2	9639	E 4	9770	F12
1401	C 1	2805	I11	3611	H11	6401	C 8	9640	C 4	9771	G12
1402	C 1	2806	H11	3612	H11	6801	D11	9641	C 4	9772	H10
1402	D 1	2807	I11	3613	I11	6803	D11	9642	C 4	9773	H10
1402	D 1	2808	H11	3614	H11	6804	F12	9643	H 2	9774	H10
1402	E 1	2809	I12	3615	I11	6805	H13	9645	D 4	9777	D11
1403	F 1	2810	H12	3616	H11	6806	G 3	9648	D 4	9778	D11
1403	F 1	2811	I12	3617	I12	6807	G11	9649	D 4	9779	D11
1403	G 1	2812	G12	3618	H12	6808	H 2	9650	E 4	9780	F12
1410	D 8	2813	H12	3619	I13	6809	B12	9651	E 4	9781	F11
1411	B 8	2814	H12	3620	I13	6810	B13	9652	E 4	9782	F11
1412	B 8	2815	H12	3621	I12	6811	R12	9653	H 5	9784	F11
1801	R 9	2816	H12	3622	G12	6812	B12	9654	C 4	9785	H12
1805	B12	2817	F12	3623	F12	6813	R12	9655	C 4	9786	H12
1806	I 9	2818	G11	3624	G12	6814	E10	9658	C 4	9789	G12
1807	J 6	2819	F13	3625	F13	6815	E 9	9659	B 4	9790	G12
1808	I11	2821	H 7	3626	G13	6816	D11	9660	C 4	9792	I12
1809	J 5	2822	H 6	3627	F12	6817	B13	9661	C 4	9793	D10
1810	J 4	2823	H 7	3628	G12	6832	H 3	9662	D 4	9794	D10
1811	I12	2824	H 6	3629	F13	6833	H 3	9663	H 5	9795	D10
1812	I 7	2825	H 8	3630	G13	6834	I 3	9664	B 4	9796	G13
1820	G 8	2826	H 8	3631	F12	6835	I11	9665	H 5	9797	I 3
1821	G 6	2827	H 9	3632	H13	6836	I 9	9666	H 2	9800	F13
1822	G10	2828	H 9	3633	F11	6837	I 4	9667	F 5	9801	G13
1823	G 9	2829	I 9	3634	F11	6838	I 5	9668	B 4	9804	I13
1824	G 5	2830	H 9	3635	G11	6839	I 6	9669	F 9	9805	I 3
1825	G11	2831	H 9	3640	G 4	6840	I12	9670	B 5	9810	B12
1826	G 7	2832	H 9	3641	H 4	6841	I 7	9671	F 5	9813	B12
1701	R11	2833	I 9	3645	H 7	6842	G 5	9672	H 5	9816	I13
1702	F 4	2834	H 9	3646	H 7	6843	G 6	9673	I 4	9820	G10
1710	C12	2835	H10	3647	H 6	6844	G 7	9674	F 5	9821	G10
1711	G 5	2836	I10	3648	H 6	6845	G 9	9675	H 5	9822	F10
1712	G12	2837	H10	3649	H 7	6846	G10	9676	B 5		
1713	E11	2838	I10	3650	H 7	6847	G11	9677	I 5		
1714	B12	2839	E10	3651	H 6	6848	H 1	9678	H 5		
1720	F 3	2840	D10	3652	H 8	6890	F12	9679	H 5		
1721	I 3	2841	E10	3653	I 6	6891	F13	9680	C 5		
1722	I 3	2842	B12	3654	I 8	6892	F12	9681	C 5		
2401	R 2	2843	R12	3655	H 7	6893	F13	9682	C 5		
2402	R 2	2844	R12	3656	I 7	6700	I 2	9683	D 5		
2403	R 3	2851	H 3	3657	I 7	6701	G 6	9684	H 5		
2404	R 3	2852	I 3	3658	I 7	6702	G 6	9685	H 5		
2405	R 3	2853	F 8	3659	H 9	6703	G 6	9686	C 5		
2406	R 3	2854	H 2	3660	H 9	6704	G 7	9687	E 5		
2407	R 4	2857	G 2	3661	H 9	6705	G 6	9688	C 8		
2408	R 4	2858	H 2	3662	H 9	6706	G 6	9689	B 5		
2409	R 3	2859	H 5	3665	H10	7401	B 4	9690	H 5		
2410	R 3	2870	F 7	3666	I10	7402	D 4	9691	G 5		
2411	R 3	2872	I 6	3667	H 6	7403	C 6	9693	I 6		
2412	R 3	2880	F11	3668	H 6	7601	D10	9694	C 8		
2413	R 4	2881	F11	3669	B13	7602	D10	9697	C 8		
2414	R 4	3401	B 2	3670	B13	7603	H12	9698	F11		
2415	B 5	3402	R 2	3671	B13	7604	E11	9699	B 3		
2415	B 5	3403	R 2	3672	R13	7605	F13	9700	B 6		
2416	R 5	3404	R 2	3673	B13	7607	F11	9701	F 8		
2417	R 5	3405	R 3	3674	R13	7608	F11	9702	D 8		
2418	R 5	3406	R 3	3675	B12	7609	H10	9703	D 6		
2419	R 5	3407	R 3	3676	R12	7610	E10	9704	D 6		
2420	R 3	3408	R 3	3677	B12	7611	R13	9705	D 6		
2421	R 4	3409	R 4	3678	E10	7612	G11	9706	R 6		
2422	R 4	3410	R 4	3679	E 9	7631	I 1	9707	R 6		
2423	G 2	3411	R 3	3680	R12	7633	I 2	9708	B 8		
2424	F 2	3412	R 3	3683	H 2	7636	H 2	9709	D 6		
2425	F 2	3413	R 3	3686	I 5	7639	H 2	9710	D 6		
2426	F 2	3414	R 3	3687	I 5	7640	F 7	9713	C 8		
2427	E 2	3415	R 4	3689	I11	7641	F 7	9714	E 6		
2428	E 2	3416	R 4	3689	I10	7642	F10	9715	E 6		
2429	E 2	3417	R 4	3700	I 9	7643	F 9	9716	C 6		
2430	E 2	3418	R 4	3701	I 7	7644	G 7	9717	B 7		
2431	D 2	3419	R 5	3702	I 6	7645	F10	9718	E 7		
2432	D 2	3420	R 5	3703	F 6	7646	F 9	9719	F 6		
2433	D 2	3421	R 5	3704	H 1	7647	I 5	9720	E 7		
2434	D 2	3422	R 5	3705	F 3	7648	F 8	9721	I 7		
2435	C 2	3423	G 2	3706	F 3	7649	I 4	9722	D 7		
2436	C 2	3424	G 2	3708	F 3	7650	H 3	9723	D 7		
2437	C 2	3425	F 2	3709	F 3	9600	F 2	9724	D 7		
2438	C 2	3426	F 2	3710	F 3	9601	G 4	9725	D 7		
2439	B 2	3427	E 2	3711	I12	9602	G 4	9726	F 6		
2440	B 2	3428	E 2	3714	I10	9603	F 4	9727	C 7		
2441	B 2	3429	E 2	3718	F 4	9605	G 4	9729	D 8		
2442	B 2	3430	E 2	3717	F10	9606	F 4	9730	D 7		
2443	C 5	3431	E 2	3718	F 9	9607	G 3	9732	B 7		
2444	D 5	3432	D 2	3719	F 4	9608	G 3	9733	C 6		
2445	C 5	3433	D 2	3720	F10	9609	G 1	9734	C 7		
2446	D 5	3434	D 2	3721	F 9	9610	G 4	9736	D 7		
2447	D 5	3435	D 2	3722	F 4	9612	G 3	9737	C10		
2448	C 5	3436	C 2	3724	I 2	9613	G 3	9738	F 7		
2449	C 7	3437	C 2	3726	I 3	9615	G 4	9738	B 8		
2450	C 7	3438	C 2	3728	H 1	9616	D 3	9741	F 8		
2451	B 7	3439	C 2	3730	G 3	9617	D 3	9742	B 8		
2452	D 7	3440	B 2	3731	G 3	9618	C 3	9743	B 8		
2453	B 7	3441	B 2	3732	I 4	9619	C 3	9747	F 8		
2454	B 7	3442	B 2	3733	I 4	9620	C 3	9748	I 9		
2464	R 2	3443	C 5	3734	I 4	9621	C 3	9749	F 9		
2465	B 2	3444	D 5	3739	H 1	9622	C 3	9750	F 9		
2466	B 2	3445	B 7	3740	H 1	9623	C 3	9751	G 9		
2467	C 2	3446	C 7	3741	H 1	9624	D 3	9752	F10		
2468	C 2	3447	C 5	3742	H 1	9625	D 3	9753	I 4		
2469	D 2	3448	B 7	3744	I 3	9627	D 3	9754	G12		
2470	D 2	3455	R 2	3745	H 2	9628	C 4	9755	F 5		
2471	E 2	3600	D11	3746	D11	9629	C 4	9756	D10		
2472	F 2	3601	C10	3747	D12	9630	C 4	9757	G10		
2473	F 2	3603	H10	3750	G12	9631	C 4	9761	G12		
2474	G 2	3605	D10	3751	F12	9632	H 4	9762	G 5		
2600	E11	3606	D10	3752	F12	9633	G11	9765	C10		



1 = reset on = 0.3v 17 = clock
 3 = 4.7v off = 4.7v 38 = mhz
 8 = 4.7v 8 = 1
 5 = 1 16 = 4.7v

3104-217-29300 .1 FA930



3104-217-29300 .1 FA930

1 = reset on = 0.3v
 3 = 4.7v
 6 = mute on = 0v
 7 = st/by on = 4.7v
 17 = clock off = 4.7v
 38 = mhz
 40 = 4.7v

8 = 4.7v
 5 = 1
 8 = 1
 16 = 4.7v

1 = R OUT
 2-3 = R IN
 4 = -13V
 5-6 = L IN
 7 = L OUT
 8 = 13V

4 = 1
 7 = 24v

1 = 1
 4 = 8v
 7 = 20v

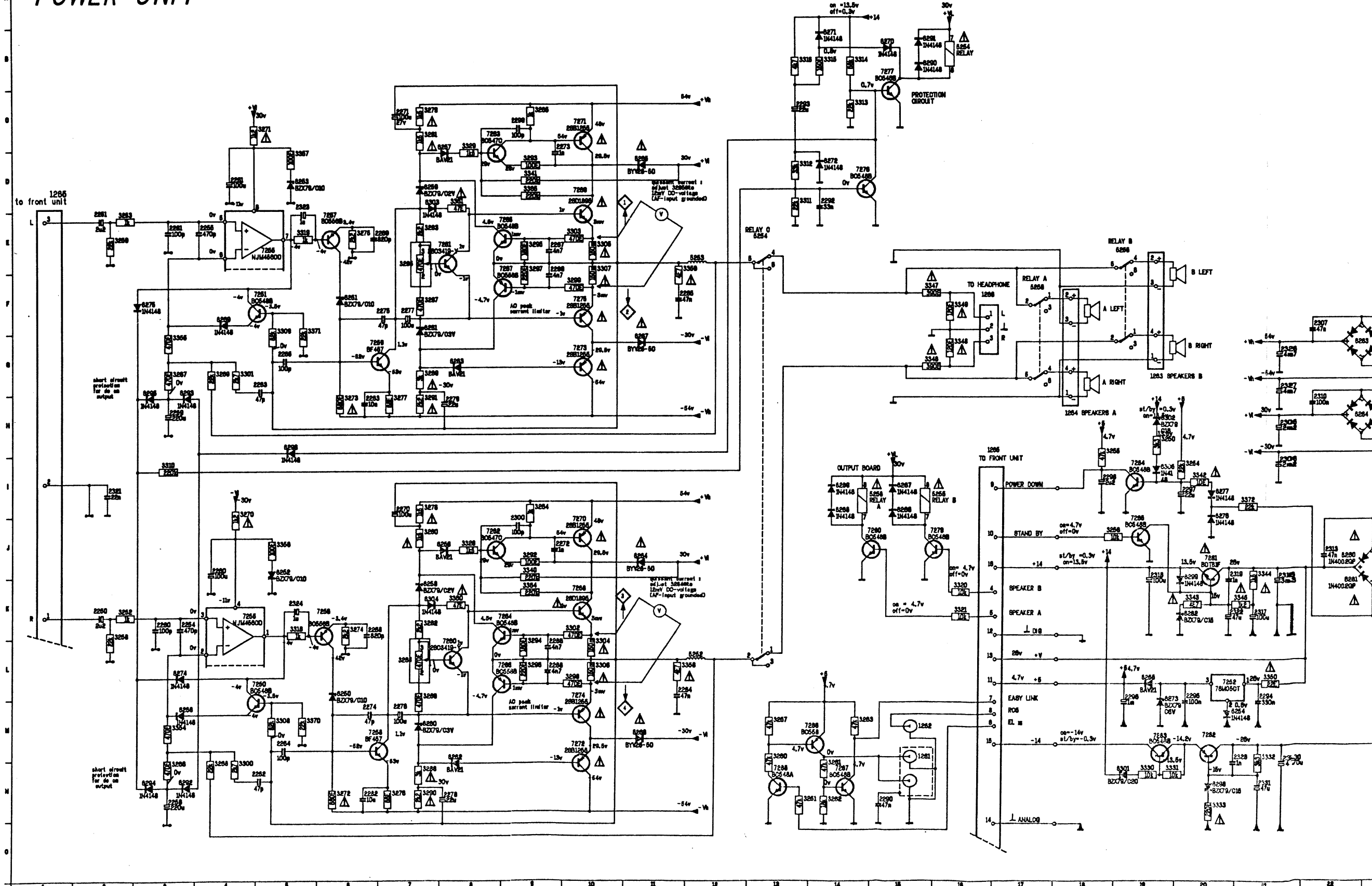
7 = -8.8v
 16 = 6.8v

8 = 4v
 c = on = -0.6v
 off = 4v

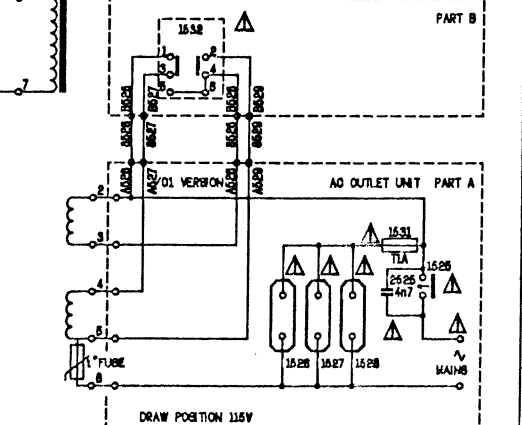
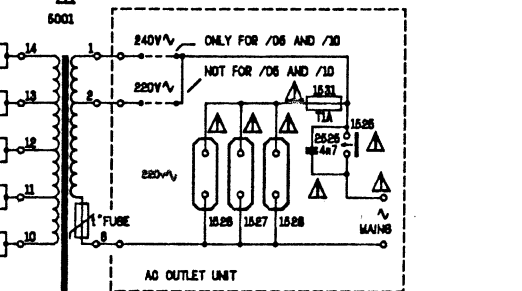
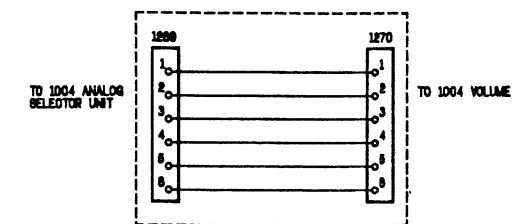
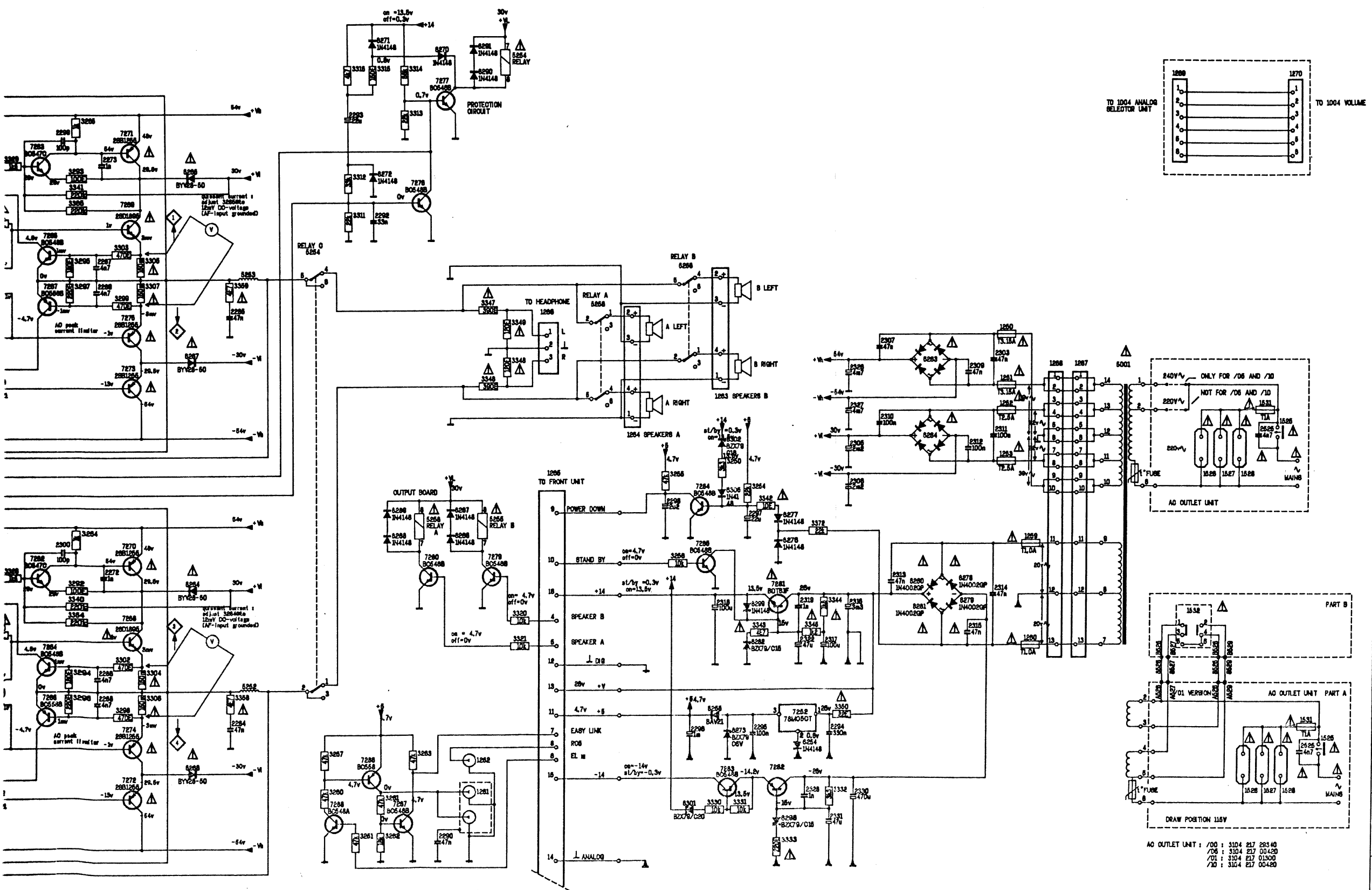
1 = R OUT
 2-3 = R IN
 4 = -13V
 5-6 = L IN
 7 = L OUT
 8 = 13V

1251	F24	1251	F15	1251	F8	1251	F1	1251	F18	1251	F25	1251	F32	1251	F39	1251	F46	1251	F53	1251	F60	1251	F67	1251	F74	1251	F81	1251	F88	1251	F95	1251	F102	1251	F109	1251	F116	1251	F123	1251	F130	1251	F137	1251	F144	1251	F151	1251	F158	1251	F165	1251	F172	1251	F179	1251	F186	1251	F193	1251	F200	1251	F207	1251	F214	1251	F221	1251	F228	1251	F235	1251	F242	1251	F249	1251	F256	1251	F263	1251	F270	1251	F277	1251	F284	1251	F291	1251	F298	1251	F305	1251	F312	1251	F319	1251	F326	1251	F333	1251	F340	1251	F347	1251	F354	1251	F361	1251	F368	1251	F375	1251	F382	1251	F389	1251	F396	1251	F403	1251	F410	1251	F417	1251	F424	1251	F431	1251	F438	1251	F445	1251	F452	1251	F459	1251	F466	1251	F473	1251	F480	1251	F487	1251	F494	1251	F501	1251	F508	1251	F515	1251	F522	1251	F529	1251	F536	1251	F543	1251	F550	1251	F557	1251	F564	1251	F571	1251	F578	1251	F585	1251	F592	1251	F599	1251	F606	1251	F613	1251	F620	1251	F627	1251	F634	1251	F641	1251	F648	1251	F655	1251	F662	1251	F669	1251	F676	1251	F683	1251	F690	1251	F697	1251	F704	1251	F711	1251	F718	1251	F725	1251	F732	1251	F739	1251	F746	1251	F753	1251	F760	1251	F767	1251	F774	1251	F781	1251	F788	1251	F795	1251	F802	1251	F809	1251	F816	1251	F823	1251	F830	1251	F837	1251	F844	1251	F851	1251	F858	1251	F865	1251	F872	1251	F879	1251	F886	1251	F893	1251	F900	1251	F907	1251	F914	1251	F921	1251	F928	1251	F935	1251	F942	1251	F949	1251	F956	1251	F963	1251	F970	1251	F977	1251	F984	1251	F991	1251	F998	1251	1000	1251
------	-----	------	-----	------	----	------	----	------	-----	------	-----	------	-----	------	-----	------	-----	------	-----	------	-----	------	-----	------	-----	------	-----	------	-----	------	-----	------	------	------	------	------	------	------	------	------	------	------	------	------	------	------	------	------	------	------	------	------	------	------	------	------	------	------	------	------	------	------	------	------	------	------	------	------	------	------	------	------	------	------	------	------	------	------	------	------	------	------	------	------	------	------	------	------	------	------	------	------	------	------	------	------	------	------	------	------	------	------	------	------	------	------	------	------	------	------	------	------	------	------	------	------	------	------	------	------	------	------	------	------	------	------	------	------	------	------	------	------	------	------	------	------	------	------	------	------	------	------	------	------	------	------	------	------	------	------	------	------	------	------	------	------	------	------	------	------	------	------	------	------	------	------	------	------	------	------	------	------	------	------	------	------	------	------	------	------	------	------	------	------	------	------	------	------	------	------	------	------	------	------	------	------	------	------	------	------	------	------	------	------	------	------	------	------	------	------	------	------	------	------	------	------	------	------	------	------	------	------	------	------	------	------	------	------	------	------	------	------	------	------	------	------	------	------	------	------	------	------	------	------	------	------	------	------	------	------	------	------	------	------	------	------	------	------	------	------	------	------	------	------	------	------	------	------	------	------	------	------	------	------	------	------	------	------	------	------	------	------	------	------	------	------	------	------	------	------	------	------

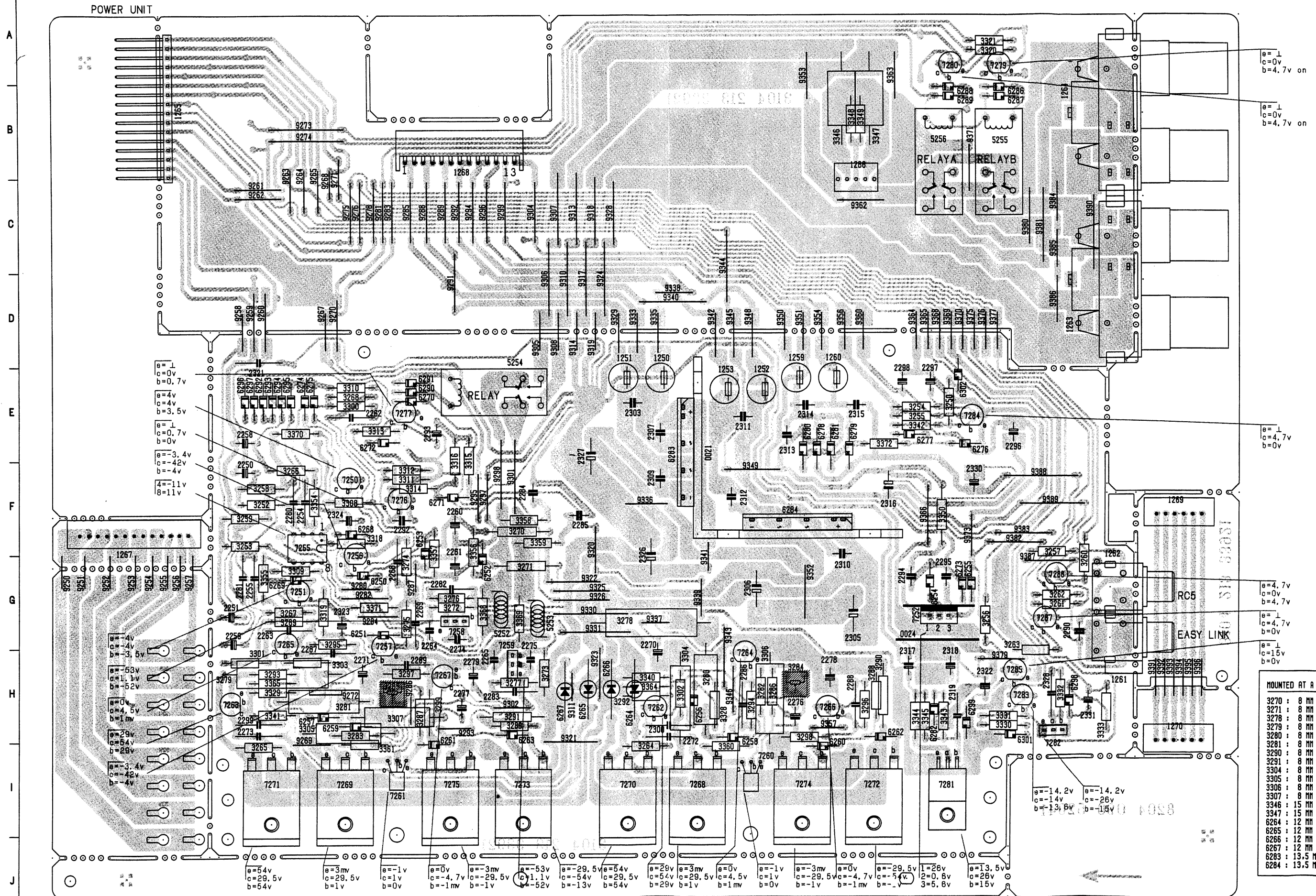
POWER UNIT



3281	3282	3283	3284	3285	3286	3287	3288	3289	3290	3291	3292	3293	3294	3295	3296	3297	3298	3299	3300	3301	3302	3303	3304	3305	3306	3307	3308	3309	3310	3311	3312	3313	3314	3315	3316	3317	3318	3319	3320	3321	3322	3323	3324	3325	3326	3327	3328	3329	3330	3331	3332	3333	3334	3335	3336	3337	3338	3339	3340	3341	3342	3343	3344	3345	3346	3347	3348	3349	3350	3351	3352	3353	3354	3355	3356	3357	3358	3359	3360	3361	3362	3363	3364	3365	3366	3367	3368	3369	3370	3371	3372	3373	3374	3375	3376	3377	3378	3379	3380	3381	3382	3383	3384	3385	3386	3387	3388	3389	3390	3391	3392	3393	3394	3395	3396	3397	3398	3399	3400
------	------	------	------	------	------	------	------	------	------	------	------	------	------	------	------	------	------	------	------	------	------	------	------	------	------	------	------	------	------	------	------	------	------	------	------	------	------	------	------	------	------	------	------	------	------	------	------	------	------	------	------	------	------	------	------	------	------	------	------	------	------	------	------	------	------	------	------	------	------	------	------	------	------	------	------	------	------	------	------	------	------	------	------	------	------	------	------	------	------	------	------	------	------	------	------	------	------	------	------	------	------	------	------	------	------	------	------	------	------	------	------	------	------	------	------	------	------	------	------



AO OUTLET UNIT : /00 : 3104 217 20340
 /06 : 3104 217 00420
 /01 : 3104 217 01500
 /10 : 3104 217 00420



POWER UNIT

$\theta = 1$
 $c = 0v$
 $b = 0.7v$
 $\theta = 4v$
 $c = 4v$
 $b = 3.5v$
 $\theta = 1$
 $c = 0.7v$
 $b = 0v$
 $\theta = -3.4v$
 $c = -42v$
 $b = -4v$
 $\theta = -11v$
 $c = -11v$

$\theta = -4v$
 $c = -4v$
 $b = -3.5v$
 $\theta = 0v$
 $c = 4.5v$
 $b = 1mv$
 $\theta = 29v$
 $c = 64v$
 $b = 28v$
 $\theta = -3.4v$
 $c = -42v$
 $b = -4v$

$\theta = 54v$
 $c = 29.5v$
 $b = 54v$
 $\theta = 3mv$
 $c = 29.5v$
 $b = 1v$
 $\theta = -1v$
 $c = 1v$
 $b = 0v$
 $\theta = 0v$
 $c = -4.7v$
 $b = -1mv$
 $\theta = -3mv$
 $c = -29.5v$
 $b = -1v$
 $\theta = -53v$
 $c = 1.1v$
 $b = -52v$
 $\theta = -29.5v$
 $c = -29.5v$
 $b = -13v$
 $\theta = 54v$
 $c = 29.5v$
 $b = 54v$
 $\theta = 29v$
 $c = 54v$
 $b = 29v$
 $\theta = 3mv$
 $c = 29.5v$
 $b = 1v$
 $\theta = 0v$
 $c = 4.5v$
 $b = 0v$
 $\theta = -1v$
 $c = -1v$
 $b = -1v$
 $\theta = -3mv$
 $c = -4.7v$
 $b = -1mv$
 $\theta = 0v$
 $c = -29.5v$
 $b = -1v$
 $\theta = -29.5v$
 $c = -5.4v$
 $b = -1v$
 $\theta = 26v$
 $c = 0.8v$
 $b = 15v$

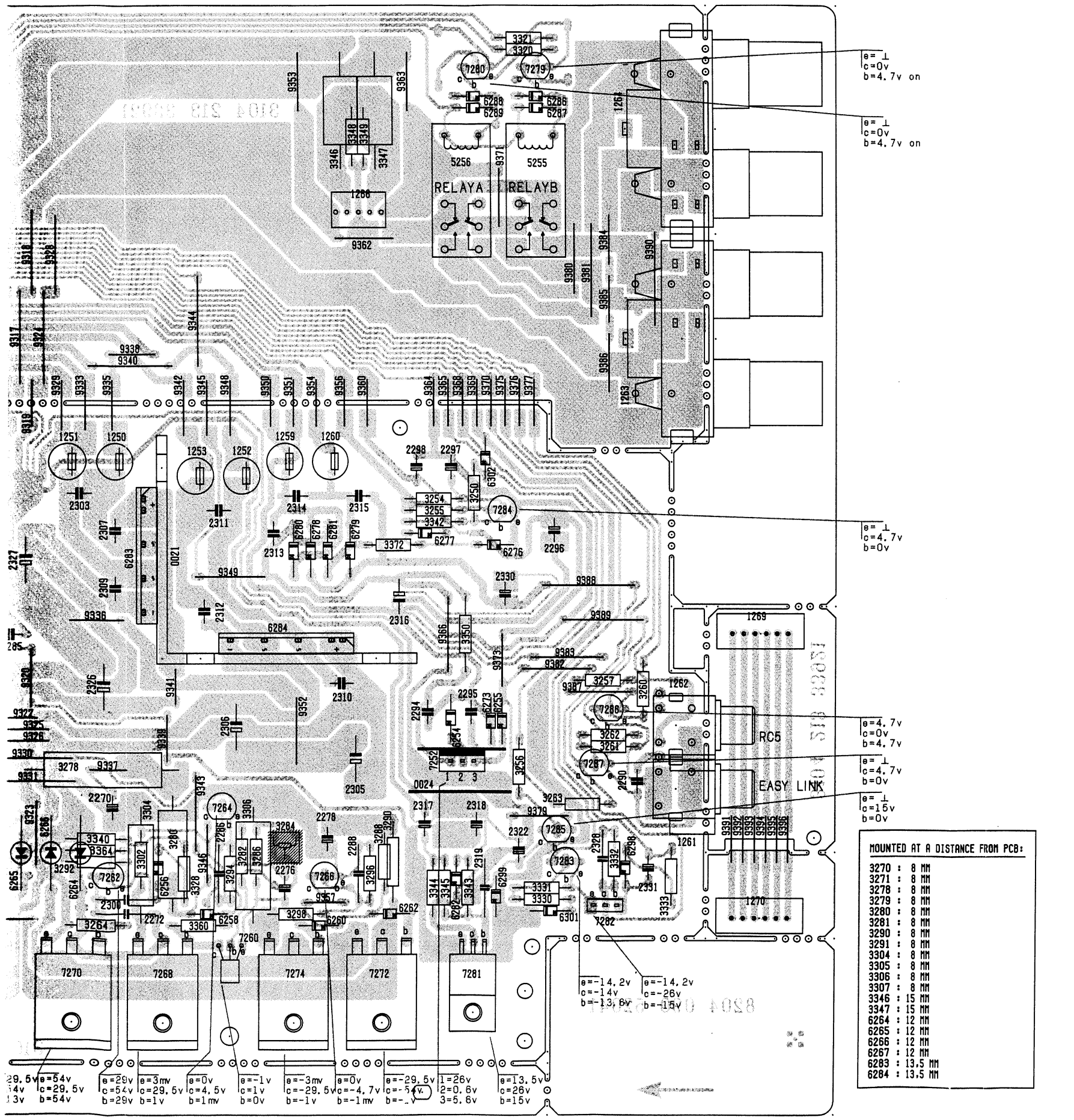
$\theta = 1$
 $c = 0v$
 $b = 4.7v$ on
 $\theta = 1$
 $c = 0v$
 $b = 4.7v$ on

$\theta = 1$
 $c = 4.7v$
 $b = 0v$

$\theta = 4.7v$
 $c = 0v$
 $b = 4.7v$
 $\theta = 1$
 $c = 4.7v$
 $b = 0v$
 $\theta = 1$
 $c = 15v$
 $b = 0v$

MOUNTED AT A DISTANCE FROM PCB:

3270	8 MM
3271	8 MM
3278	8 MM
3279	8 MM
3280	8 MM
3281	8 MM
3290	8 MM
3291	8 MM
3304	8 MM
3305	8 MM
3306	8 MM
3307	8 MM
3346	15 MM
3347	15 MM
6264	12 MM
6265	12 MM
6266	12 MM
6267	12 MM
6283	13.5 MM
6284	13.5 MM

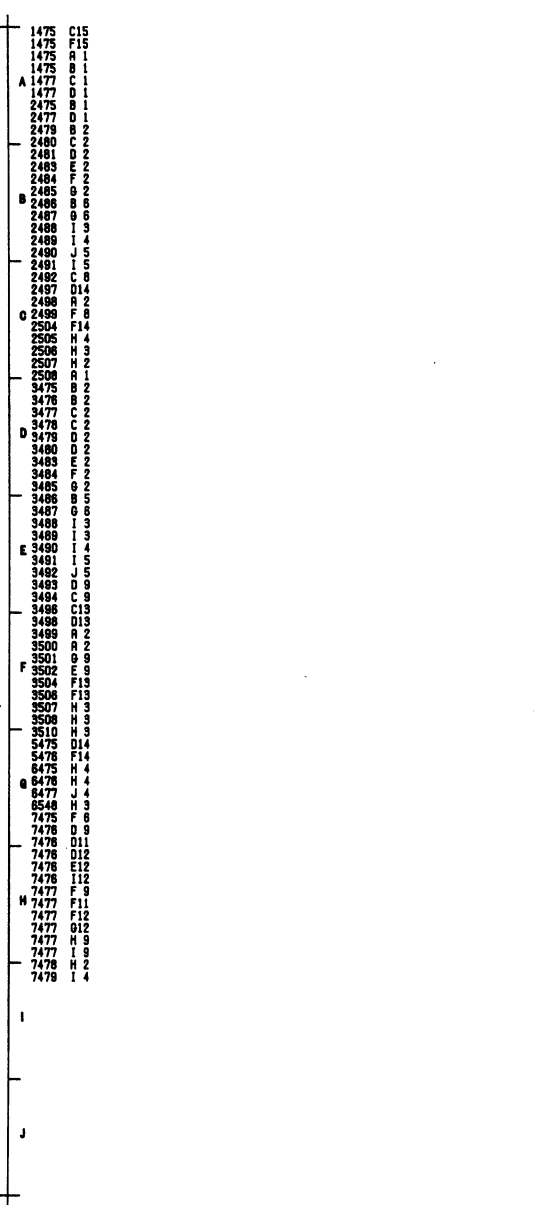
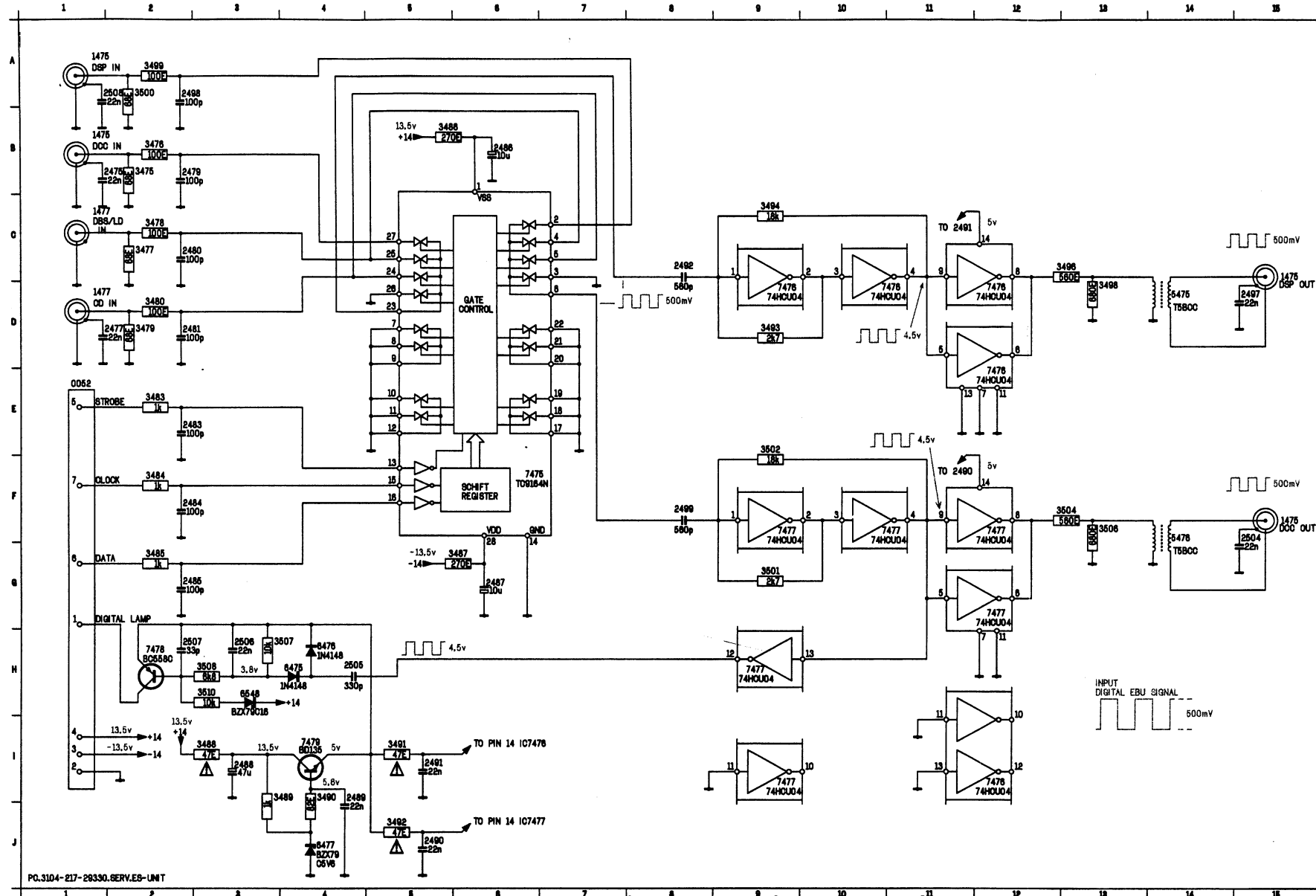


MOUNTED AT A DISTANCE FROM PCB:

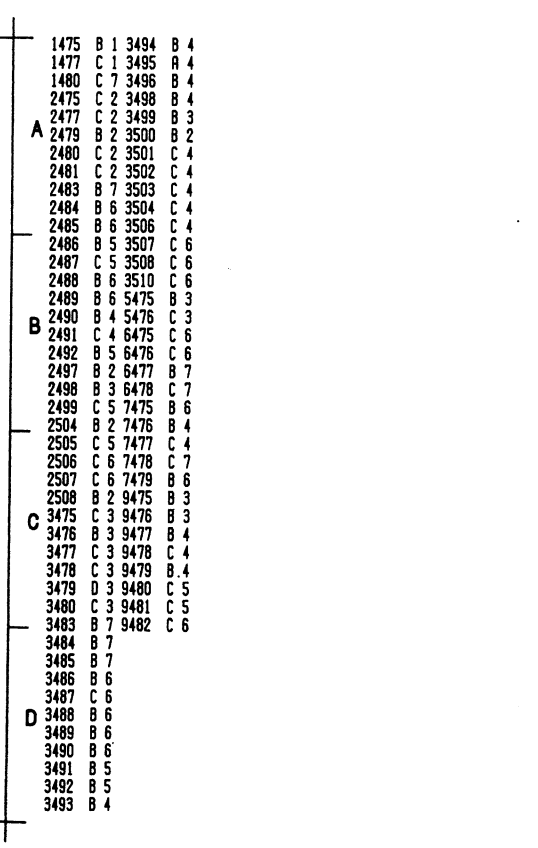
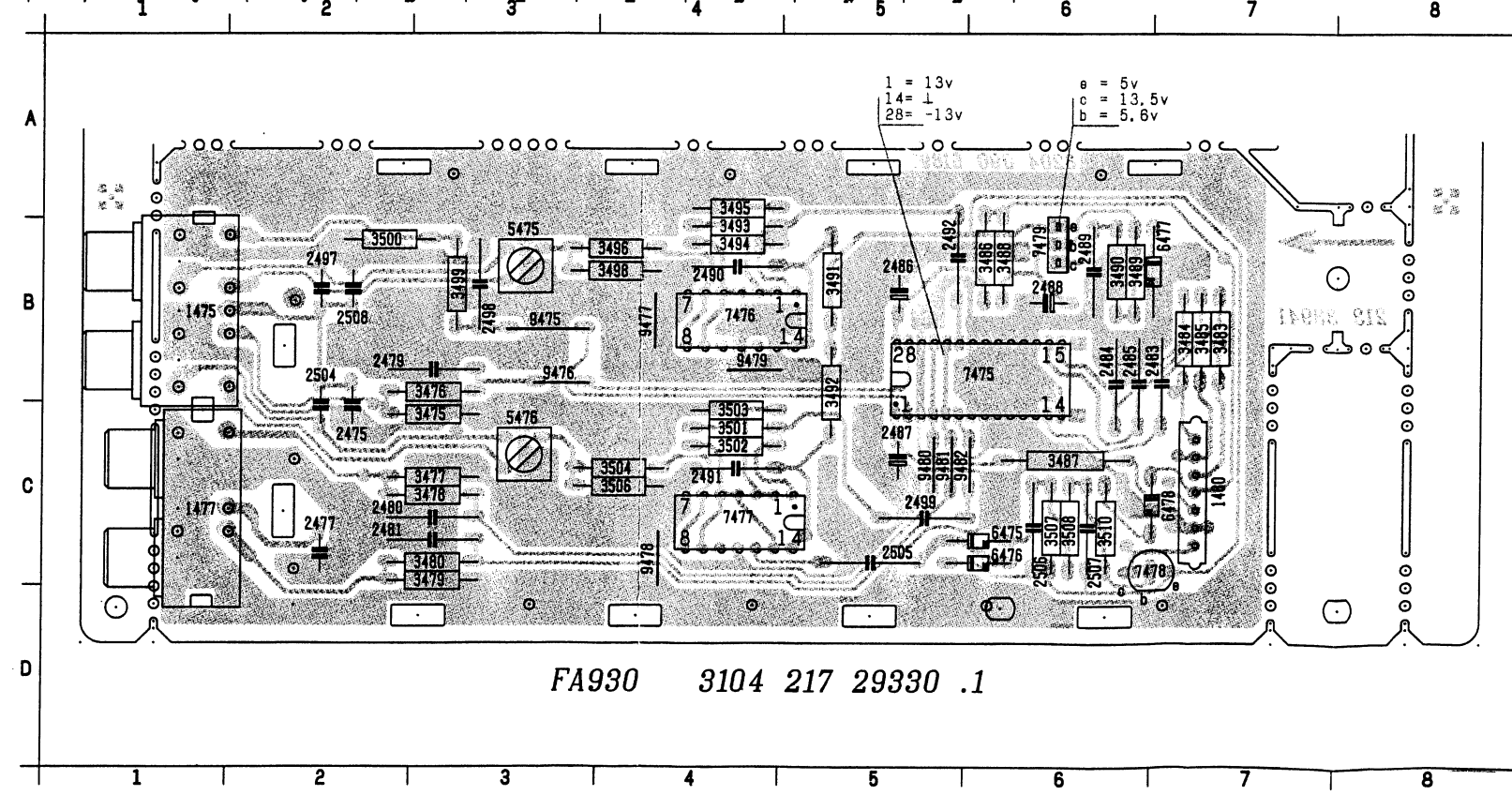
3270	: 8 MM
3271	: 8 MM
3278	: 8 MM
3279	: 8 MM
3280	: 8 MM
3281	: 8 MM
3290	: 8 MM
3291	: 8 MM
3304	: 8 MM
3305	: 8 MM
3306	: 8 MM
3307	: 8 MM
3346	: 15 MM
3347	: 15 MM
6264	: 12 MM
6265	: 12 MM
6266	: 12 MM
6267	: 12 MM
6283	: 13.5 MM
6284	: 13.5 MM

0021	E 8	3273	H 6	6273	G10	9299	C 6
0024	G10	3274	G 5	6274	E 4	9301	F 6
1250	D 7	3275	G 5	6275	E 4	9302	H 6
1251	D 7	3276	G 5	6276	E11	9304	C 6
1252	E 8	3277	H 6	6277	E10	9305	D 6
1253	E 8	3278	G 7	6278	E 9	9306	D 6
1259	D 9	3279	H 3	6279	E 9	9307	C 6
1260	D 9	3280	H 6	6280	E 9	9308	D 6
1261	H12	3281	H 4	6281	E 9	9310	D 6
1262	G12	3282	H 8	6282	H10	9311	H 6
1263	D12	3283	H 4	6283	E 7	9313	C 6
1264	B12	3284	H 9	6284	F 9	9314	D 6
1265	B 2	3285	H 4	6285	B11	9317	D 7
1266	B 9	3286	H 9	6286	B11	9318	C 7
1267	G 2	3287	H 5	6287	B11	9319	D 7
1268	B 5	3288	H10	6288	B11	9320	F 7
1269	F13	3289	H 6	6290	E 5	9321	H 6
1270	H13	3290	H10	6291	E 5	9322	G 7
2250	F 3	3291	H 6	6292	E 3	9323	H 7
2251	G 3	3292	H 7	6293	E 3	9324	D 7
2254	F 4	3293	H 3	6294	E 3	9325	G 7
2255	G 3	3294	H 8	6295	E 3	9326	G 7
2258	E 3	3295	G 4	6296	E 3	9328	C 7
2259	G 3	3296	H10	6297	E 3	9329	D 7
2260	F 5	3297	H 5	6298	H12	9330	G 7
2261	G 5	3298	H 9	6299	H11	9331	G 7
2262	E 4	3299	H 5	6301	I11	9333	D 7
2263	G 3	3300	E 4	6302	E11	9335	D 7
2264	H 5	3301	H 3	7250	F 4	9336	F 7
2265	H 5	3302	H 8	7251	G 3	9337	G 7
2268	G 4	3303	H 4	7252	G10	9338	D 7
2269	G 5	3304	H 8	7255	F 4	9339	G 8
2270	G 7	3305	H 4	7256	G 4	9340	D 7
2271	H 4	3306	H 8	7257	H 4	9341	G 8
2272	I 8	3307	H 5	7258	G 5	9342	D 8
2273	H 3	3308	F 4	7259	G 6	9343	G 8
2274	H 5	3309	G 3	7260	I 8	9344	C 8
2275	H 6	3310	E 4	7261	I 5	9345	D 8
2276	H 9	3311	F 5	7262	H 7	9346	H 8
2277	H 5	3312	F 5	7263	H 3	9348	D 8
2278	H 9	3313	E 4	7264	H 8	9349	F 8
2279	H 5	3314	F 5	7265	G 3	9350	D 9
2280	F 3	3315	E 5	7266	H 9	9351	D 9
2281	G 3	3316	E 5	7267	H 5	9352	G 9
2282	G 5	3318	F 4	7268	I 8	9353	R 9
2283	H 6	3319	G 4	7269	I 4	9354	D 9
2284	F 6	3320	H11	7270	I 7	9356	D 9
2285	F 6	3321	H11	7271	I 3	9357	H 9
2286	H 8	3328	H 8	7272	I10	9360	D 9
2287	H 4	3329	H 3	7273	I 6	9362	C 9
2288	H 9	3330	H11	7274	I 9	9363	A10
2289	H 5	3331	H11	7275	I 5	9364	D10
2290	G12	3332	H12	7276	F 5	9365	D10
2292	F 5	3333	H12	7277	E 5	9366	F10
2293	E 5	3340	H 7	7279	A11	9368	D10
2294	G10	3341	H 3	7280	A10	9369	D10
2295	G10	3342	E10	7281	I10	9370	D10
2296	E11	3343	H10	7282	I11	9371	B11
2297	E10	3344	H10	7283	H11	9373	F11
2298	E10	3345	H10	7284	E11	9375	D11
2299	H 3	3346	B 9	7285	H11	9376	D11
2300	H 7	3347	B10	7286	G12	9377	D11
2303	E 7	3348	B 9	7287	G11	9379	H11
2305	G 9	3349	B 9	9250	G 1	9380	C11
2306	G 8	3350	F10	9251	G 1	9381	C11
2307	E 7	3354	F 4	9252	G 1	9382	F11
2309	F 7	3355	G 3	9253	G 2	9383	F11
2310	G 9	3356	F 5	9254	G 2	9384	C11
2311	E 8	3357	F 5	9255	G 2	9385	C11
2312	F 8	3358	F 6	9256	G 2	9386	D11
2313	E 9	3359	F 6	9257	G 2	9387	G11
2314	E 9	3360	I 8	9258	D 3	9388	F11
2315	E 9	3361	I 4	9259	D 3	9389	F11
2316	F10	3364	H 7	9260	D 3	9390	C12
2317	H10	3365	H 3	9261	C 3	9391	H13
2318	H10	3368	G 5	9262	C 3	9392	H13
2319	H10	3369	G 6	9263	B 3	9393	H13
2321	E 3	3370	E 3	9264	B 4	9394	H13
2322	H11	3371	G 4	9265	B 4	9395	H13
2323	G 4	3372	E10	9267	D 4	9396	H13
2324	F 4	5252	G 6	9268	C 4		
2326	G 7	5253	G 6	9269	I 4		
2327	E 6	5254	D 6	9270	D 4		
2328	H11	5255	B11	9271	C 4		
2330	F11	5256	B10	9272	H 4		
2331	H12	6250	G 4	9273	B 4		
3250	E10	6251	G 4	9274	B 4		
3252	F 3	6252	G 6	9275	C 4		
3253	F 3	6253	F 5	9276	C 4		
3254	E10	6254	G10	9278	C 4		
3255	E10	6255	G11	9280	G 4		
3256	G11	6256	H 8	9281	C 4		
3257	G11	6257	H 4	9282	G 4		
3258	F 3	6258	I 8	9283	C 4		
3259	F 3	6259	H 4	9284	G 4		
3260	G12	6260	I 9	9285	C 5		
3261	G12	6261	I 5	9286	H 5		
3262	G12	6262	H10	9287	G 5		
3263	H11	6263	I 6	9288	C 5		
3264	I 7	6264	H 7	9289	C 5		
3265	I 3	6265	H 6	9291	D 5		
3266	F 3	6266	H 7	9292	C 5		
3267	G 3	6267	H 6	9293	H 5		
3268	E 4	6268	F 4	9294	C 5		
3269	G 3	6269	G 3	9295	F 5		
3270	F 6	6270	E 5	9296	C 5		
3271	G 6	6271	F 5	9297	F 5		
3272	G 5	6272	E 4	9298	F 6		

3104 217 29270 P-1



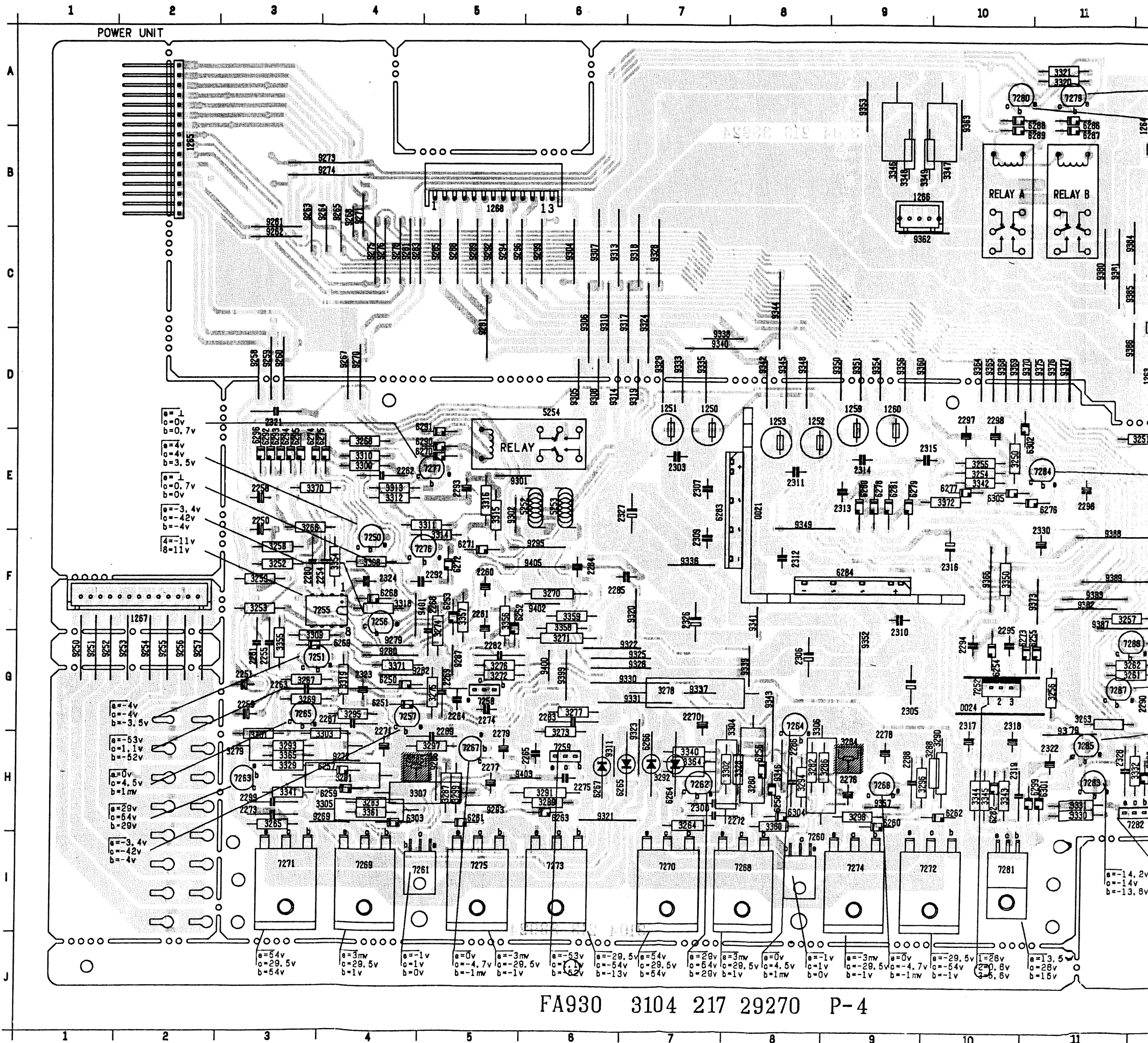
ES-UNIT MAINWAY RED
3104-217-29330.SERV C.A.D. 91-10-09



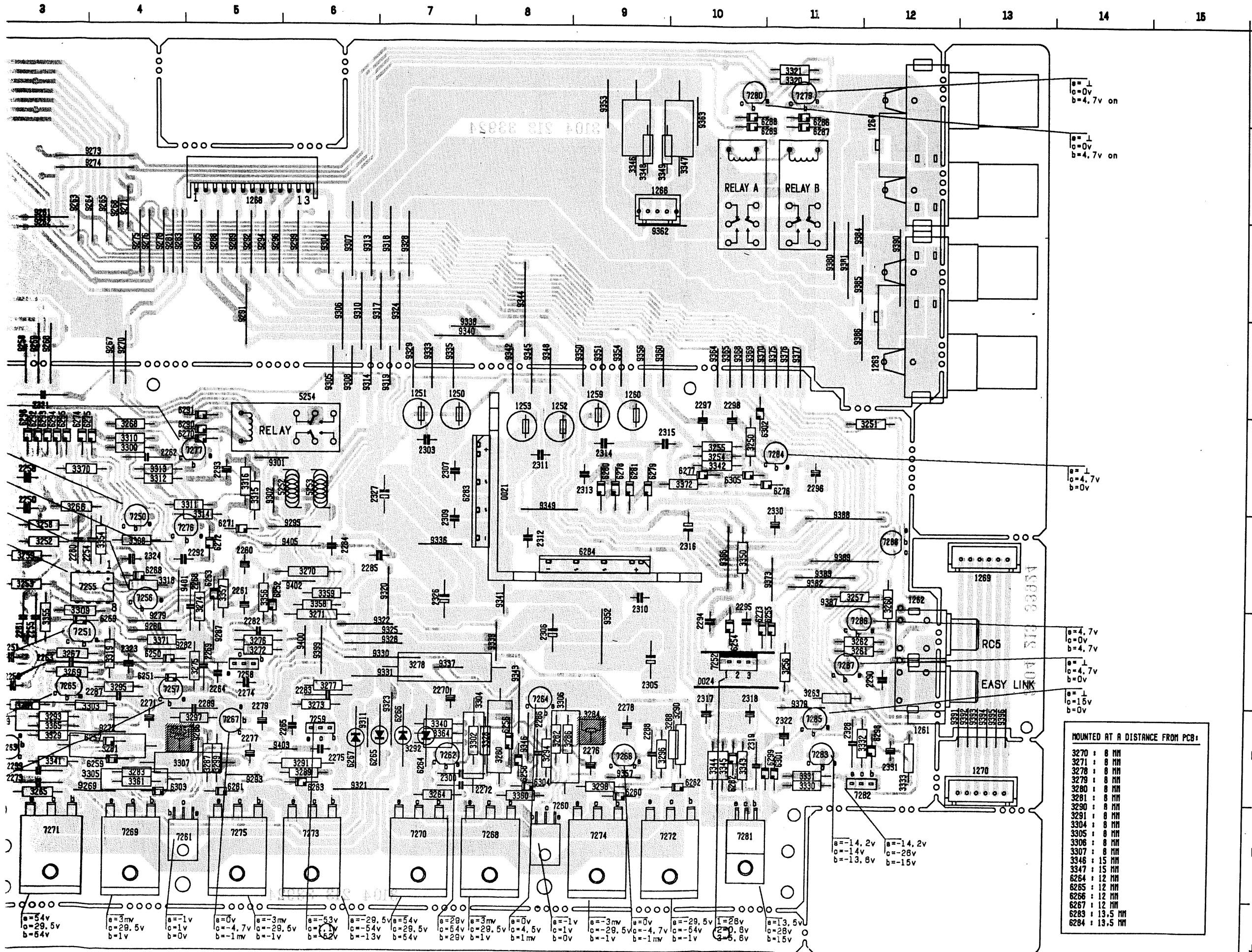
MECHANICAL PARTS

401	4822 410 61699	KNOB SOURCE SEL.ASSY
402	4822 532 21449	RUBBER RING
403	4822 426 51524	FRONT ASSY
404	4822 413 41696	KNOB ASSY
405	4822 450 61831	IR-WINDOW
406	4822 413 51399	VOLUME KNOB ASSY
407	4822 426 60621	STRIP
408	4822 454 12791	PLATE ORNAMENTAL
409	4822 410 61698	BUTTON ASSY
410	4822 380 20425	LED REFLECTOR
412	4822 255 41247	LEDHOLDER
413	4822 450 61832	WINDOW
414	4822 466 70734	DIFFUSOR
415	4822 130 91065	DIG.REFLECTOR
416	4822 466 70733	LICHTSCREEN
417	4822 267 31453	HEADPHONE
418	4822 380 20424	REFLECTOR
419	4822 273 10237	ROTARY SWITCH
421	4822 404 21194	BRACKET
422	4822 462 71808	POWER CAP
425	4822 130 81254	IR EYE
426	4822 276 13224	POWER SWITCH
427	4822 146 31043	TRAFO
428	4822 462 41888	FOOT
429	4822 462 41887	FOOT VILT
431	4822 101 21175	VOLUME ASSY
432	4822 532 60948	BUSHING
433	4822 265 20544	MAINS OUTPUT
433	4822 265 20554	MAINS OUTPUT ONLY /05
434	4822 321 61478	CINCH CORD
435	4822 321 10789	MAINS CORD
436	4822 268 90449	JUMPER PLUG
437	4822 404 21195	TRANSISTOR BRACKET
438	4822 502 13921	PHONE GND SREW
	4822 218 10439	REMOTE CONTROL (RH6640/01)

0021	E 8	3272	0 5	6274	E 3	9299	C 6
0024	G 10	3273	H 6	6275	E 4	9301	C 5
1250	D 7	3274	F 5	6276	E 11	9302	E 5
1251	D 7	3275	0 5	6277	E 10	9304	C 6
1252	D 8	3276	0 5	6278	E 9	9305	D 6
1253	D 8	3277	0 6	6279	E 9	9306	C 6
1259	D 9	3278	0 7	6280	E 9	9307	C 6
1260	D 9	3279	H 3	6281	E 9	9308	D 6
1261	H 12	3280	H 8	6282	H 10	9310	C 6
1262	F 12	3281	H 4	6283	E 7	9311	H 6
1263	D 12	3282	H 8	6284	F 9	9313	C 6
1264	H 12	3283	H 4	6286	H 11	9314	D 6
1265	B 2	3284	H 9	6287	H 11	9317	C 6
1266	B 9	3285	H 4	6288	H 11	9318	C 7
1267	F 2	3286	H 9	6289	H 11	9319	D 7
1268	B 5	3287	H 5	6290	E 5	9320	F 7
1269	F 13	3288	H 10	6291	E 5	9321	H 6
1270	H 13	3289	H 6	6292	E 3	9322	G 7
2250	E 3	3290	H 10	6293	E 3	9323	C 7
2251	0 3	3291	H 6	6294	E 3	9324	C 7
2254	F 4	3292	H 7	6295	E 3	9325	0 7
2255	G 3	3293	H 3	6296	E 3	9326	0 7
2258	E 3	3294	H 8	6298	H 12	9328	C 7
2259	0 3	3295	0 4	6299	H 11	9329	D 7
2260	F 5	3296	H 10	6301	H 11	9330	0 7
2261	F 5	3297	H 5	6302	E 11	9331	0 7
2262	E 4	3298	H 9	6303	H 4	9333	0 7
2263	G 3	3299	H 5	6304	H 8	9335	0 7
2264	0 5	3300	E 4	6305	E 10	9336	F 7
2265	H 6	3301	H 3	7250	F 4	9337	0 7
2268	F 5	3302	H 8	7251	0 3	9338	D 7
2269	G 5	3303	H 4	7252	G 10	9339	G 8
2270	G 7	3304	0 8	7255	F 4	9340	D 7
2271	H 4	3305	H 4	7256	F 4	9341	F 8
2272	H 8	3306	0 8	7257	0 4	9342	0 8
2273	H 3	3307	H 4	7258	0 5	9343	0 8
2274	G 5	3308	F 4	7259	H 6	9344	C 8
2275	H 6	3309	0 3	7260	I 8	9345	0 8
2276	H 9	3310	E 4	7261	I 5	9346	H 8
2277	H 5	3311	E 5	7262	H 7	9348	0 8
2278	H 9	3312	E 4	7263	H 3	9349	E 8
2279	H 5	3313	E 4	7264	0 8	9350	D 9
2280	F 3	3314	F 5	7265	0 3	9351	D 9
2281	0 3	3315	E 5	7266	H 9	9352	0 9
2282	0 5	3316	E 5	7267	H 5	9353	A 9
2283	0 6	3318	F 4	7268	I 8	9354	D 9
2284	F 6	3319	0 4	7269	I 4	9356	0 9
2285	F 6	3320	H 11	7270	I 7	9357	H 9
2286	H 8	3321	H 11	7271	I 3	9360	D 9
2287	0 4	3328	H 8	7272	I 0	9362	C 9
2288	H 9	3329	H 3	7273	I 6	9363	H 10
2289	H 5	3330	H 11	7274	I 9	9364	D 10
2290	H 12	3331	H 11	7275	I 5	9365	D 10
2292	F 5	3332	H 12	7276	F 5	9366	F 10
2293	E 5	3333	H 12	7277	F 5	9368	D 10
2294	G 10	3340	H 7	7279	H 11	9369	D 10
2295	G 10	3341	H 3	7280	H 10	9370	D 10
2296	E 11	3342	E 10	7281	I 10	9371	H 11
2297	D 10	3343	H 10	7282	H 12	9373	F 11
2298	D 10	3344	H 10	7283	H 11	9375	D 11
2299	H 3	3345	H 10	7284	E 11	9376	D 11
2300	H 7	3346	0 9	7285	H 11	9377	D 11
2303	E 7	3347	H 10	7286	G 12	9379	H 11
2305	0 9	3348	0 9	7287	G 11	9380	C 11
2306	0 8	3349	0 9	7288	E 12	9381	C 11
2307	E 7	3350	F 10	9250	G 1	9382	F 11
2309	F 7	3354	F 4	9251	G 1	9383	F 11
2310	0 9	3355	0 3	9252	0 1	9384	C 11
2311	E 8	3356	F 5	9253	0 2	9385	C 11
2312	F 8	3357	F 5	9254	0 2	9386	D 11
2313	E 9	3358	0 6	9255	0 2	9387	F 11
2314	E 9	3359	0 6	9256	0 2	9388	F 11
2315	E 9	3360	H 8	9257	0 2	9389	F 11
2316	F 10	3361	H 4	9258	D 3	9390	C 12
2317	G 10	3364	H 7	9259	D 3	9391	H 13
2318	G 10	3365	H 3	9260	D 3	9392	H 13
2319	H 10	3370	0 3	9261	0 3	9393	H 13
2321	D 3	3371	0 4	9262	C 3	9394	H 13
2322	H 11	3372	E 10	9263	0 3	9395	H 13
2323	G 4	5252	E 6	9264	0 4	9396	H 13
2324	F 4	5253	E 6	9265	0 4	9399	G 6
2326	F 7	5254	0 6	9267	0 4	9400	F 5
2327	E 6	5255	H 11	9268	0 4	9401	F 5
2328	H 11	5256	H 10	9269	H 4	9402	F 6
2330	E 11	6250	G 4	9270	D 4	9403	H 6
2331	H 12	6251	G 4	9271	H 4	9405	F 6
2350	E 10	6252	F 5	9272	H 4		
2351	E 12	6253	F 5	9273	B 4		
2352	F 3	6254	G 10	9274	B 4		
2353	F 3	6255	G 11	9275	C 4		
2354	E 10	6256	H 8	9276	C 4		
2355	E 10	6257	H 4	9278	C 4		
2358	G 11	6259	H 8	9279	G 4		
2357	F 11	6259	H 4	9280	G 4		
2358	F 3	6260	H 9	9281	C 4		
2359	F 3	6261	H 5	9282	C 4		
2360	F 12	6262	H 10	9283	C 4		
2361	G 12	6263	H 6	9285	C 5		
2362	G 12	6264	H 7	9286	H 5		
2363	G 11	6265	H 6	9287	D 5		
2364	H 7	6266	H 7	9288	C 5		
2365	H 3	6267	H 6	9289	C 5		
2366	F 3	6268	F 4	9291	C 5		
2367	0 3	6269	0 4	9292	C 5		
2368	E 4	6270	E 5	9293	H 5		
2369	0 3	6271	F 5	9294	C 5		
2370	F 6	6272	F 5	9295	F 6		
2371	0 6	6273	G 10	9296	C 5		



FA930 3104 217 29270 P-4



a = 1
o = 0v
b = 4.7v on

a = 1
o = 0v
b = 4.7v on

a = 1
o = 4.7v
b = 0v

a = 4.7v
o = 0v
b = 4.7v

a = 1
o = 4.7v
b = 0v

a = 1
o = 15v
b = 0v

1

2

3

4

5

6

7

8

9

10

11

12

13

14

15

16

17

18

19

20

21

22

23

24

25

26

27

28

29

30

31

32

33

34

35

36

37

38

39

40

41

42

43

44

45

46

47

48

49

50

51

52

53

54

55

56

57

58

59

60

61

62

63

64

65

66

67

68

69

70

71

72

73

74

75

76

77

78

79

80

81

82

83

84

85

86

87

88

89

90

91

92

93

94

95

96

97

98

99

100

101

102

103

104

105

106

107

108

109

110

111

112

113

114

115

116

117

118

119

120

121

122

123

124

125

126

127

128

129

130

131

132

133

134

135

136

137

138

139

140

141

142

143

144

145

146

147

148

149

150

151

152

153

154

155

156

157

158

159

160

161

162

163

164

165

166

167

168

169

170

171

172

173

174

175

176

177

178

179

180

181

182

183

184

185

186

187

188

189

190

191

192

193

194

195

196

197

198

199

200

201

202

203

204

205

206

207

208

209

210

211

212

213

214

215

216

217

218

219

220

221

222

223

224

225

226

227

228

229

230

231

232

233

234

235

236

237

238

239

240

241

242

243

244

245

246

247

248

249

250

251

252

253

254

255

256

257

258

259

260

261

262

263

264

265

266

267

268

269

270

271

272

273

274

275

276

277

278

279

280

281

282

283

284

285

286

287

288

289

290

291

292

293

294

295

296

297

298

299

300

301

302

303

304

305

306

307

308

309

310

311

312

313

314

315

316

317

318

319

320

321

322

323

324

325

326

327

328

329

330

331

332

333

334

335

336

337

338

339

340

341

342

343

344

345

346

347

348

349

350

351

352

353

354

355

356

357

358

359

360

361

362

363

364

365

366

367

368

369

370

371

372

373

374

375

376

377

378

379

380

381

382

383

384

385

386

387

388

389

390

391

392

393

394

395

396

397

398

399

400

401

402

403

404

405

406

407

408

409

410

411

412

413

414

415

416

417

418

419

420

421

422

423

424

425

426

427

428

429

430

431

432

433

434

435

436

437

438

439

440

441

442

443

444

445

446

447

448

449

450

451

452

453

454

455

456

457

458

459

460

461

462

463

464

465

466

467

468

469

470

471

472

473

474

475

476

477

478

479

480

481

482

483

484

485

486

487

488

489

490

491

492

493

494

495

496

497

498

499

500

501

502

503

504

505

506

507

508

509

510

511

512

513

514

515

516

517

518

519

520

521

522

523

524

525

526

527

528

529

530

531

532

533

534

535

536

537

538

539

540

541

542

543

544

545

546

547

548

549

550

551

552

553

554

555

556

557

558

559

560

561

562

563

564

565

566

567

568

569

570

571

572

573

574

575

576

577

578

579

580

581

582

583

584

585

586

587

588

589

590

591

592

593

594

595

596

597

598

599

600

601

602

603

604

605

606

607

608

609

610

611

612

613

614

615

616

617

618

619

620

621

622

623

624

625

626

627

628

629

630

631

632

633

634

635

636

637

638

639

640

641

642

643

644

645

646

647

648

649

650

651

652

653

654

655

656

657

658

659

660

661

662

663

664

665

666

667

668

669

670

671

672

673

674

675

676

677

678

679

680

681

682

683

684

685

686

687

688

689

690

691

692

693

694

695

696

697

698

699

700

701

702

703

704

705

706

707

708

709

710

711

712

713

714

715

716

717

718

719

720

721

722

723

724

725

726

727

728

729

730

731

732

733

734

735

736

737

738

739

740

741

742

743

744

745

746

747

748

749

750

751

752

753

754

755

756

757

758

759

760

761

762

763

764

765

766

767

768

769

770

771

772

773

774

775

776

777

778

779

780

781

782

783

784

785

786

787

788

789

790

791

792

793

794

795

796

797

798

799

800

801

802

803

804

805

806

807

808

809

810

811

812

813

814

815

816

817

818

819

820

821

822

823

824

825

826

827

828

829

830

831

832

833

834

835

836

837

838

839

840

841

842

843

844

845

846

847

848

849

850

851

852

853

854

855

856

857

858

859

860

861

862

863

864

865

866

867

868

869

870

871

872

873

874

875

876

877

878

879

880

881

882

883

884

885

886

887

888

889

890

891

892

893

894

895

896

897

898

899

900

901

902

903

904

905

906

907

908

909

910

911

912

913

914

915

916

917

918

919

920

921

922

923

924

925

926

927

928

929

930

931

932

933

934

935

936

937

938

939

940

941

942

943

944

945

946

947

948

949

950

951

952

953

954

955

956

957

958

959

960

961

962

963

964

965

966

967

968

969

970

971

972

973

974

975

976

977

978

979

980

981

982

983

984

985

986

987

988

989

990

991

992

993

994

995

996

997

998

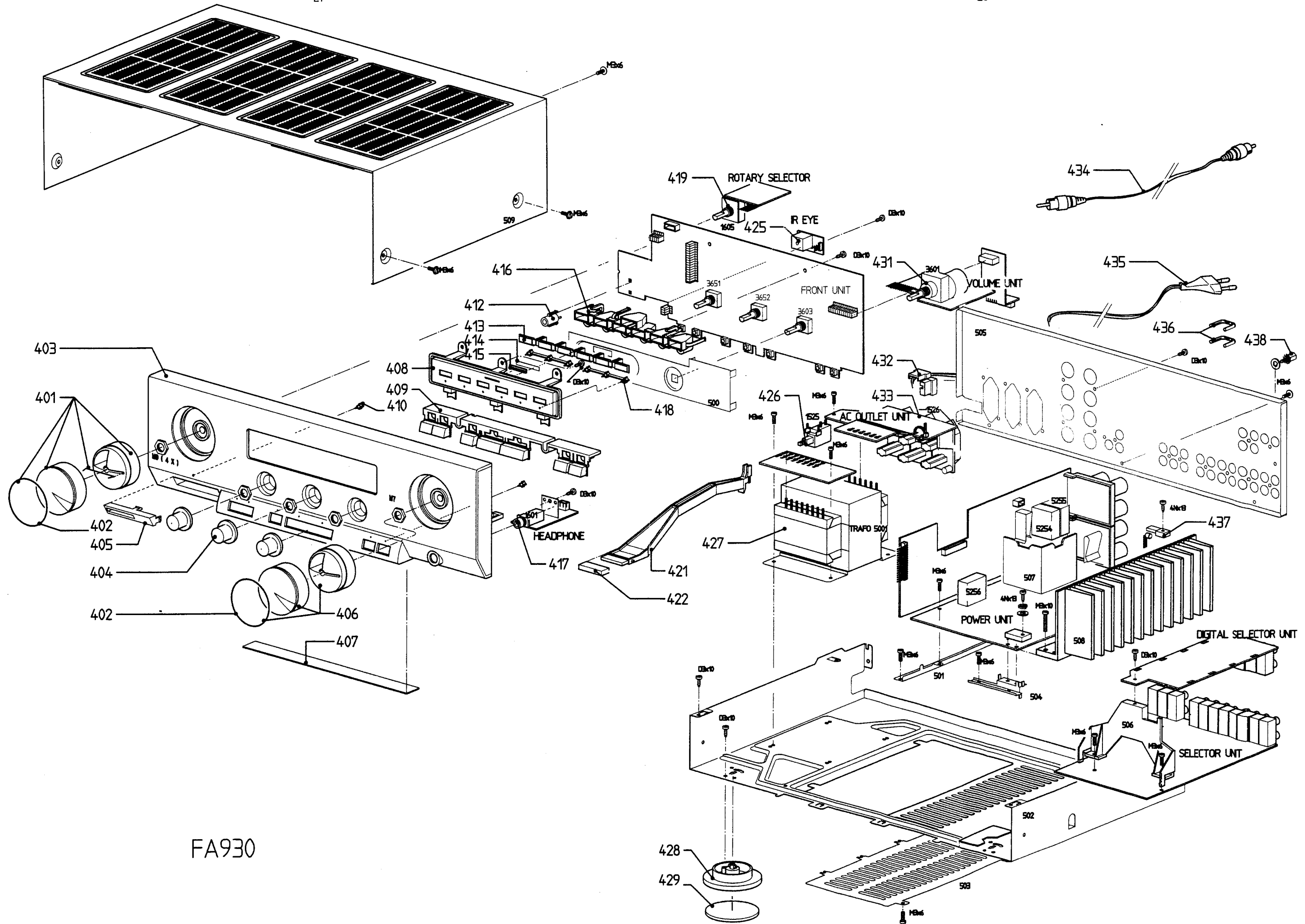
999

1000

FA930 3104 217 29270 P-4

MECHANICAL PARTS

401	4822 410 61699	KNOB SOURCE SEL.ASSY
402	4822 532 21449	RUBBER RING
403	4822 426 51524	FRONT ASSY
404	4822 413 41696	KNOB ASSY
405	4822 450 61831	IR-WINDOW
406	4822 413 51399	VOLUME KNOB ASSY
407	4822 426 60621	STRIP
408	4822 454 12791	PLATE ORNAMENTAL
409	4822 410 61698	BUTTON ASSY
410	4822 380 20425	LED REFLECTOR
412	4822 255 41247	LEDHOLDER
413	4822 450 61832	WINDOW
414	4822 466 70734	DIFFUSOR
415	4822 130 91065	DIG.REFLECTOR
416	4822 466 70733	LIGHTSCREEN
417	4822 267 31453	HEADPHONE
418	4822 380 20424	REFLECTOR
419	4822 273 10237	ROTARY SWITCH
421	4822 404 21194	BRACKET
422	4822 462 71808	POWER CAP
425	4822 130 81254	IR EYE
426	4822 276 13224	POWER SWITCH
427	4822 146 31043	TRAFO
428	4822 462 41888	FOOT
429	4822 462 41887	FOOT FELT
431	4822 101 21175	VOLUME ASSY
432	4822 532 60948	BUSHING
433	4822 265 20544	MAINS OUTPUT
433	4822 265 20554	MAINS OUTPUT ONLY /05
434	4822 321 61478	CINCH CORD
435	4822 321 10789	MAINS CORD
436	4822 268 90449	JUMPER PLUG
437	4822 404 21195	TRANSISTOR BRACKET
438	4822 502 13921	PHONO GND SCREW
	4822 218 10439	REMOTE CONTROL (RH6640/01)



FA930

FUSE'S		
1250	4822 071 53152	FUSE 3.15A
1251	4822 071 53152	FUSE 3.15A
1252	4822 071 52502	FUSE 2.5A
1253	4822 071 52502	FUSE 2.5A
1259	4822 071 51002	FUSE 1A
1260	4822 071 51002	FUSE 1A
1531	4822 071 51002	FUSE 1A
MISCELLANEOUS		
1261	4822 265 20542	pin jack
1262	4822 265 20543	pin jack
1263	4822 290 81479	4P scren Terminal
1264	4822 290 81479	4P scren Terminal
1401	4822 267 31451	pin jack
1402	4822 267 31451	pin jack
1403	4822 267 31449	pin jack
1475	4822 267 31452	pin jack
1477	4822 267 31448	pin jack
1525	4822 276 13224	Power Switch
1526	4822 265 20544	Mains outlet
1527	4822 265 20544	Mains outlet
1528	4822 265 20544	Mains outlet
1601	4822 267 31453	Phone Socket
1605	4822 273 10237	Rotery Encoder
1606	4822 276 13213	Tact Switch
1607	4822 276 13213	Tact Switch
1608	4822 276 13213	Tact Switch
1609	4822 276 13213	Tact Switch
1610	4822 276 13213	Tact Switch
1611	4822 276 13213	Tact Switch
1612	4822 276 13213	Tact Switch
1620	4822 134 41102	12V 75mA
1621	4822 134 41102	12V 75mA
1622	4822 134 41102	12V 75mA
1623	4822 134 41102	12V 75mA
1624	4822 134 41102	12V 75mA
1625	4822 134 41102	12V 75mA
1626	4822 134 41102	12V 75mA
	4822 736 21313	Inst.For Use
CAPACITORS		
2250	4822 124 40244	2,2 μ F 20% 63V
2251	4822 124 40244	2,2 μ F 20% 63V
2254	4822 122 31435	470pF 10% 50V
2255	4822 122 31435	470pF 10% 50V
2258	4822 124 41554	220 μ F 20% 10V
2259	4822 124 41554	220 μ F 20% 10V
2260	4822 124 41643	100 μ F 20% 16V
2261	4822 124 41643	100 μ F 20% 16V
2262	4822 122 10181	47pF 5% 50V
2263	4822 122 10181	47pF 5% 50V
2264	4822 122 33308	100pF 10% 500V
2265	4822 122 33308	100pF 10% 500V
2268	4822 122 10173	820pF 10% 50V
2269	4822 122 10173	820pF 10% 50V
2270	4822 124 40255	100 μ F 50% 63V
2271	4822 124 40255	100 μ F 50% 63V
2272	4822 122 10158	1nF 10% 50V
2273	4822 122 10158	1nF 10% 50V
2274	4822 126 12017	47pF NPO 500V
2275	4822 126 12017	47pF NPO 500V
2276	4822 124 40178	100 μ F 20% 10V
2277	4822 124 40178	100 μ F 20% 10V
2278	4822 124 41596	22 μ F 20% 50V
2279	4822 124 41596	22 μ F 20% 50V
2280	4822 122 10183	100pF 5% 50V
2281	4822 122 10183	100pF 5% 50V
2282	4822 122 10177	10nF 20% 25V
2283	4822 122 10177	10nF 20% 25V
2284	4822 121 41984	47nF 10% 400V
2285	4822 121 41984	47nF 10% 400V
2286	4822 126 11311	4,7nF 50V
2287	4822 126 11311	4,7nF 50V
2288	4822 126 11311	4,7nF 50V
2289	4822 126 11311	4,7nF 50V
2290	5322 121 42491	47nF 5% 100V
2292	5322 121 42489	33nF 5% 250V
2293	4822 124 41678	22 μ F 20% 25V
2294	5322 121 42661	330nF 5% 63V
2295	5322 121 42386	100nF 5% 63V
2296	4822 124 40201	1000 μ F 20% 16V
2297	4822 124 41678	22 μ F 20% 25V
2298	4822 124 40244	2,2 μ F 20% 63V
2299	4822 122 10183	100pF 5% 50V
2300	4822 122 10183	100pF 5% 50V
2303	4822 121 43875	47nF 5% 250V
2305	4822 124 41998	2200 μ F 50V
2306	4822 124 41998	2200 μ F 50V
2307	4822 121 43875	47nF 5% 250V
2309	4822 121 43875	47nF 5% 250V
2310	4822 121 42007	100nF 10% 100V
2311	4822 121 42007	100nF 10% 100V
2312	4822 121 42007	100nF 10% 100V
2313	4822 121 41984	47nF 10% 400V
2314	4822 121 41984	47nF 10% 400V
2315	4822 121 41984	47nF 10% 400V
2316	4822 124 42367	3300 μ F 20% 35V
2317	5322 124 21189	100 μ F 20% 40V
2318	5322 124 21189	100 μ F 20% 40V
2319	4822 122 10158	1nF 10% 50V
2321	4822 122 10166	22nF 30% 16V
2322	4822 124 40433	47 μ F 20% 25V
2323	4822 124 40242	1 μ F 20% 63V
2324	4822 124 40242	1 μ F 20% 63V
2326	4822 124 42154	4700 μ F 80V
2327	4822 124 42154	4700 μ F 80V

2328	4822 122 10158	1nF 10% 50V
2330	4822 124 41334	470 μ F 20% 35V
2331	4822 124 40433	47 μ F 20% 25V
2401	4822 122 10183	100pF 5% 50V
2402	4822 122 10183	100pF 5% 50V
2403	4822 122 10183	100pF 5% 50V
2404	4822 122 10183	100pF 5% 50V
2405	4822 124 40242	1 μ F 20% 63V
2406	4822 124 40242	1 μ F 20% 63V
2407	4822 122 10158	1nF 10% 50V
2408	4822 122 10158	1nF 10% 50V
2409	4822 124 21212	15 μ F 20% 40V
2410	4822 124 21212	15 μ F 20% 40V
2411	4822 122 10177	10nF 20% 25V
2412	4822 122 10177	10nF 20% 25V
2413	4822 126 11309	2,7nF 10%Y5F 50V
2414	4822 126 11309	2,7nF 10%Y5F 50V
2415	4822 124 40435	10 μ F 20% 50V
2416	4822 124 40435	10 μ F 20% 50V
2417	4822 122 10183	100pF 5% 50V
2418	4822 122 10183	100pF 5% 50V
2419	4822 122 10166	22nF 30% 16V
2420	4822 122 10166	22nF 30% 16V
2421	4822 124 22427	47 μ F 20% 35V
2422	4822 124 40433	47 μ F 20% 25V
2423	4822 122 10183	100pF 5% 50V
2424	4822 122 10183	100pF 5% 50V
2425	4822 122 10183	100pF 5% 50V
2426	4822 122 10183	100pF 5% 50V
2427	4822 122 10183	100pF 5% 50V
2428	4822 122 10183	100pF 5% 50V
2429	4822 122 10183	100pF 5% 50V
2430	4822 122 10183	100pF 5% 50V
2431	4822 122 10183	100pF 5% 50V
2432	4822 122 10183	100pF 5% 50V
2433	4822 122 10183	100pF 5% 50V
2434	4822 122 10183	100pF 5% 50V
2435	4822 122 10183	100pF 5% 50V
2436	4822 122 10183	100pF 5% 50V
2437	4822 122 10183	100pF 5% 50V
2438	4822 122 10183	100pF 5% 50V
2439	4822 122 10183	100pF 5% 50V
2440	4822 122 10183	100pF 5% 50V
2441	4822 122 10183	100pF 5% 50V
2442	4822 122 10183	100pF 5% 50V
2443	4822 122 10166	22nF 30% 16V
2444	4822 122 10166	22nF 30% 16V
2445	4822 124 22427	47 μ F 20% 35V
2446	4822 124 40433	47 μ F 20% 25V
2447	4822 126 10003	33nF 30% 50V
2448	4822 122 10166	22nF 30% 16V
2449	4822 122 10166	22nF 30% 16V
2450	4822 122 10166	22nF 30% 16V
2451	4822 124 22427	47 μ F 20% 35V
2452	4822 124 40433	47 μ F 20% 25V
2453	4822 126 10003	33nF 30% 50V
2454	4822 122 10166	22nF 30% 16V
2464	4822 126 11005	4,7nF 20% 50V
2465	4822 126 11005	4,7nF 20% 50V
2466	4822 126 11005	4,7nF 20% 50V
2467	4822 126 11005	4,7nF 20% 50V
2468	4822 126 11005	4,7nF 20% 50V
2469	4822 126 11005	4,7nF 20% 50V
2470	4822 126 11005	4,7nF 20% 50V
2471	4822 126 11005	4,7nF 20% 50V
2472	4822 126 11005	4,7nF 20% 50V
2473	4822 126 11005	4,7nF 20% 50V
2474	4822 126 11005	4,7nF 20% 50V
2479	4822 122 10183	100pF 5% 50V
2480	4822 122 10183	100pF 5% 50V
2481	4822 122 10183	100pF 5% 50V
2483	4822 122 10183	100pF 5% 50V
2484	4822 122 10183	100pF 5% 50V
2485	4822 122 10183	100pF 5% 50V
2486	4822 124 40435	10 μ F 20% 50V
2487	4822 124 40435	10 μ F 20% 50V
2488	4822 124 40433	47 μ F 20% 25V
2489	4822 122 10166	22nF 30% 16V
2490	4822 122 10166	22nF 30% 16V
2491	4822 122 10166	22nF 30% 16V
2492	4822 122 31693	560pF 10% 50V
2498	4822 122 10183	100pF 5% 50V
2499	4822 122 31693	560pF 10% 50V
2505	4822 122 31466	330pF 10% 50V
2506	4822 122 10166	22nF 30% 16V
2507	4822 122 10179	33pF 5% 50V
2600	4822 124 40435	10 μ F 20% 50V
2601	4822 121 41754	82nF 10% 100V
2602	4822 121 41754	82nF 10% 100V
2603	4822 124 23176	22 μ F 20% 16V
2604	4822 124 23176	22 μ F 20% 16V
2605	4822 122 10171	180pF 10% 50V
2606	4822 122 10171	180pF 10% 50V
2607	4822 122 10183	100pF 5% 50V
2608	4822 122 10183	100pF 5% 50V
2609	4822 122 10183	100pF 5% 50V
2610	4822 122 10183	100pF 5% 50V
2611	4822 124 23179	10 μ F 20% 16V
2612	4822 124 23179	10 μ F 20% 16V
2613	4822 124 42368	22 μ F 35V
2614	4822 124 42368	22 μ F 35V
2615	4822 122 10166	22nF 30% 16V
2616	4822 122 10166	22nF 30% 16V
2617	4822 122 10177	10nF 20% 25V
2618	4822 124 40242	1 μ F 20% 63V
2619	4822 122 10177	10nF 20% 25V
2621	4822 121 51409	120nF 5% 63V
2622	4822 121 51409	120nF 5% 63V
2623	4822 121 51409	120nF 5% 63V

MISCELLANEOUS		
1250	4822 071 53152	FUSE T3.15A
1251	4822 071 53152	FUSE T3.15A
1252	4822 071 52502	FUSE T2.5A
1253	4822 071 52502	FUSE T2.5A
1259	4822 071 51002	FUSE T1A
1260	4822 071 51002	FUSE T1A
1261	4822 265 20542	PIN JACK
1262	4822 265 20543	PIN JACK
1263	4822 290 81479	4 SCREW TERMINAL
1264	4822 290 81479	4 SCREW TERMINAL
1401	4822 267 31451	PIN JACK
1402	4822 267 31451	PIN JACK
1403	4822 267 31449	PIN JACK
1475	4822 267 31452	PIN JACK
1477	4822 267 31448	PIN JACK
1525	4822 276 13224	POWER SWITCH
1526	4822 265 20594	MAINS OUTLET
1527	4822 265 20594	MAINS OUTLET
1528	4822 265 20594	MAINS OUTLET
1531	4822 071 51002	FUSE 1A
1532	4822 272 10315	VOLT SEL.(ONLY/01S)
1601	4822 267 31453	PHONE SOCKET
1605	4822 273 10237	ROTARY ENCODER
1606	4822 276 13213	TACT SWITCH
1607	4822 276 13213	TACT SWITCH
1608	4822 276 13213	TACT SWITCH
1609	4822 276 13213	TACT SWITCH
1610	4822 276 13213	TACT SWITCH
1611	4822 276 13213	TACT SWITCH
1612	4822 276 13213	TACT SWITCH
1620	4822 134 41102	12V 75mA
1621	4822 134 41102	12V 75mA
1622	4822 134 41102	12V 75mA
1623	4822 134 41102	12V 75mA
1624	4822 134 41102	12V 75mA
1625	4822 134 41102	12V 75mA
1626	4822 134 41102	12V 75mA
CAPACITORS		
2250	4822 124 40244	2,2μF 20% 63V
2251	4822 124 40244	2,2μF 20% 63V
2254	4822 122 31435	470pF 10% 50V
2255	4822 122 31435	470pF 10% 50V
2258	4822 124 40196	220μF 20% 16V
2259	4822 124 40196	220μF 20% 16V
2260	4822 124 41643	100μF 20% 16V
2261	4822 124 41643	100μF 20% 16V
2262	4822 122 10181	47pF 5% 50V
2263	4822 122 10181	47pF 5% 50V
2264	4822 122 33308	100pF 10% 500V
2265	4822 122 33308	100pF 10% 500V
2268	4822 122 10173	820pF 10% 50V
2269	4822 122 10173	820pF 10% 50V
2270	4822 124 40255	100μF 20% 63V
2271	4822 124 40255	100μF 20% 63V
2272	4822 122 10158	1nF 10% 50V
2273	4822 122 10158	1nF 10% 50V
2274	4822 126 12017	47pF NPO 500V
2275	4822 126 12017	47pF NPO 500V
2276	4822 124 41584	100μF 20% 10V
2277	4822 124 41584	100μF 20% 10V
2278	4822 124 41596	22μF 20% 50V
2279	4822 124 41596	22μF 20% 50V
2280	4822 122 10183	100pF 5% 50V
2281	4822 122 10183	100pF 5% 50V
2282	4822 122 10177	10nF 20% 25V
2283	4822 122 10177	10nF 20% 25V
2284	4822 121 41984	47nF 10% 400V
2285	4822 121 41984	47nF 10% 400V
2286	4822 126 11311	4,7nF 50V
2287	4822 126 11311	4,7nF 50V
2288	4822 126 11311	4,7nF 50V
2289	4822 126 11311	4,7nF 50V
2290	4822 121 43526	47nF 5% 100V
2292	4822 121 41854	150nF 5% 63V
2293	5322 124 41431	22μF 20% 35V
2294	5322 121 42661	330nF 5% 63V
2295	5322 121 42386	100nF 5% 63V
2296	4822 124 40201	1000μF 20% 16V
2297	5322 124 41431	22μF 20% 35V
2298	4822 124 40244	2,2μF 20% 63V
2299	4822 122 10183	100pF 5% 50V
2300	4822 122 10183	100pF 5% 50V
2303	4822 121 43875	47nF 5% 250V
2305	4822 124 41998	2200μF 50V
2306	4822 124 41998	2200μF 50V
2307	4822 121 43875	47nF 5% 250V
2309	4822 121 43875	47nF 5% 250V
2310	4822 121 42007	100nF 10% 100V
2311	4822 121 42007	100nF 10% 100V
2312	4822 121 42007	100nF 10% 100V
2313	4822 121 41984	47nF 10% 400V
2314	4822 121 41984	47nF 10% 400V
2315	4822 121 41984	47nF 10% 400V
2316	4822 124 42367	3300μF 20% 35V
2317	5322 124 21189	100μF 20% 40V
2318	5322 124 21189	100μF 20% 40V
2319	4822 122 10158	1nF 10% 50V
2321	4822 122 10166	22nF 30% 16V
2322	4822 124 40433	47μF 20% 25V
2323	4822 124 40242	1μF 20% 63V
2324	4822 124 40242	1μF 20% 63V
2326	4822 124 42154	4700μF 80V

2327	4822 124 42154	4700μF 80V
2328	4822 122 10158	1nF 10% 50V
2330	4822 124 41334	470μF 20% 35V
2331	4822 124 40433	47μF 20% 25V
2401	4822 122 10183	100pF 5% 50V
2402	4822 122 10183	100pF 5% 50V
2403	4822 122 10183	100pF 5% 50V
2404	4822 122 10183	100pF 5% 50V
2405	4822 124 40242	1μF 20% 63V
2406	4822 124 40242	1μF 20% 63V
2407	4822 122 10158	1nF 10% 50V
2408	4822 122 10158	1nF 10% 50V
2409	4822 124 21212	15μF 20% 40V
2410	4822 124 21212	15μF 20% 40V
2411	4822 122 10177	10nF 20% 25V
2412	4822 122 10177	10nF 20% 25V
2413	4822 126 11309	2,7nF 10%Y5F 50V
2414	4822 126 11309	2,7nF 10%Y5F 50V
2415	4822 124 40435	10μF 20% 50V
2416	4822 124 40435	10μF 20% 50V
2417	4822 122 10183	100pF 5% 50V
2418	4822 122 10183	100pF 5% 50V
2419	4822 122 10166	22nF 30% 16V
2420	4822 122 10166	22nF 30% 16V
2421	4822 124 22347	47μF 50V
2422	4822 124 40433	47μF 20% 25V
2423	4822 122 10183	100pF 5% 50V
2424	4822 122 10183	100pF 5% 50V
2425	4822 122 10183	100pF 5% 50V
2426	4822 122 10183	100pF 5% 50V
2427	4822 122 10183	100pF 5% 50V
2428	4822 122 10183	100pF 5% 50V
2429	4822 122 10183	100pF 5% 50V
2430	4822 122 10183	100pF 5% 50V
2431	4822 122 10183	100pF 5% 50V
2432	4822 122 10183	100pF 5% 50V
2433	4822 122 10183	100pF 5% 50V
2434	4822 122 10183	100pF 5% 50V
2435	4822 122 10183	100pF 5% 50V
2436	4822 122 10183	100pF 5% 50V
2437	4822 122 10183	100pF 5% 50V
2438	4822 122 10183	100pF 5% 50V
2439	4822 122 10183	100pF 5% 50V
2440	4822 122 10183	100pF 5% 50V
2441	4822 122 10183	100pF 5% 50V
2442	4822 122 10183	100pF 5% 50V
2443	4822 122 10166	22nF 30% 16V
2444	4822 122 10166	22nF 30% 16V
2445	4822 124 22347	47μF 50V
2446	4822 124 40433	47μF 20% 25V
2447	4822 126 10003	33nF 30% 50V
2448	4822 122 10166	22nF 30% 16V
2449	4822 122 10166	22nF 30% 16V
2450	4822 122 10166	22nF 30% 16V
2451	4822 124 22347	47μF 50V
2452	4822 124 40433	47μF 20% 25V
2453	4822 126 10003	33nF 30% 50V
2454	4822 122 10166	22nF 30% 16V
2464	4822 126 11005	4,7nF 20% 50V
2465	4822 126 11005	4,7nF 20% 50V
2466	4822 126 11005	4,7nF 20% 50V
2467	4822 126 11005	4,7nF 20% 50V
2468	4822 126 11005	4,7nF 20% 50V
2469	4822 126 11005	4,7nF 20% 50V
2470	4822 126 11005	4,7nF 20% 50V
2471	4822 126 11005	4,7nF 20% 50V
2472	4822 126 11005	4,7nF 20% 50V
2473	4822 126 11005	4,7nF 20% 50V
2474	4822 126 11005	4,7nF 20% 50V
2475	4822 126 10781	470pF 50V
2476	4822 126 10781	470pF 50V
2479	4822 122 10183	100pF 5% 50V
2480	4822 122 10183	100pF 5% 50V
2481	4822 122 10183	100pF 5% 50V
2483	4822 122 10183	100pF 5% 50V
2484	4822 122 10183	100pF 5% 50V
2485	4822 122 10183	100pF 5% 50V
2486	4822 124 40435	10μF 20% 50V
2487	4822 124 40435	10μF 20% 50V
2488	4822 124 40433	47μF 20% 25V
2489	4822 122 10166	22nF 30% 16V
2490	4822 122 10166	22nF 30% 16V
2491	4822 122 10166	22nF 30% 16V
2492	4822 122 10172	220pF 10% 50V
2497	4822 126 10781	470pF 50V
2498	4822 122 10183	100pF 5% 50V
2499	4822 122 10172	220pF 10% 50V
2504	4822 126 10781	470pF 50V
2505	4822 122 31466	330pF 10% 50V
2506	4822 122 10166	22nF 30% 16V
2507	4822 122 10179	33pF 5% 50V
2508	4822 126 10781	470pF 50V
2510	4822 122 31466	330pF 10% 50V
2600	4822 124 40435	10μF 20% 50V
2601	4822 121 41754	82nF 10% 100V
2602	4822 121 41754	82nF 10% 100V
2603	4822 124 23179	EL 10μF 16V
2604	4822 124 23179	EL 10μF 16V
2605	4822 122 10181	47pF 5% 50V
2606	4822 122 10181	47pF 5% 50V
2607	4822 122 10183	100pF 5% 50V
2608	4822 122 10183	100pF 5% 50V
2609	4822 122 10183	100pF 5% 50V
2610	4822 122 10183	100pF 5% 50V
2611	4822 124 23176	EL 22μF 16V
2612	4822 124 23176	EL 22μF 16V
2613	4822 124 42368	22μF 35V
2614	4822 124 42368	22μF 35V

2624	4822 121 51409	120nF 5% 63V	3271	4822 053 10122	1k2 5% 1W
2625	4822 126 11311	4,7nF 50V	3272	4822 052 10681	680Ω 5% 0,33W
2626	4822 126 11311	4,7nF 50V	3273	4822 052 10681	680Ω 5% 0,33W
2627	4822 124 41969	1μF 20% 50V	3274	4822 050 22202	2k2 1% 0,6W
2628	4822 124 41969	1μF 20% 50V	3275	4822 050 22202	2k2 1% 0,6W
2629	4822 122 10183	100pF 5% 50V	3276	4822 050 16809	68Ω 1% 0,4W
2630	4822 122 10183	100pF 5% 50V	3277	4822 050 16809	68Ω 1% 0,4W
2631	4822 122 33997	56pF 5%NPO	3278	4822 112 41112	1k5 5% 5,8W
2632	4822 122 33997	56pF 5%NPO	3279	4822 112 41112	1k5 5% 5,8W
2633	4822 124 23176	22μF 20% 16V	3280	4822 053 12152	1k5 5% 3W
2634	4822 124 23176	22μF 20% 16V	3281	4822 053 12152	1k5 5% 3W
2635	4822 122 10166	22nF 30% 16V	3282	4822 050 22202	2k2 1% 0,6W
2636	4822 122 10166	22nF 30% 16V	3283	4822 050 22202	2k2 1% 0,6W
2637	4822 124 42368	22μF 35V	3284	4822 101 10927	470Ω
2638	4822 124 42368	22μF 35V	3285	4822 101 10927	470Ω
2639	4822 126 12018	22nF 30% 16V	3286	4822 050 28201	820Ω 1% 0,6W
2640	4822 121 51245	220nF 63V	3287	4822 050 28201	820Ω 1% 0,6W
2641	4822 124 22347	47μF 50V	3288	4822 053 10302	3k 5% 1W
2642	4822 122 31693	560pF 10% 50V	3289	4822 053 10302	3k 5% 1W
2643	4822 124 40246	4,7μF 20% 63V	3290	4822 053 10222	2k2 5% 1W
2644	4822 124 40242	1μF 20% 63V	3291	4822 053 10222	2k2 5% 1W
2661	4822 122 10166	22nF 30% 16V	3292	4822 051 10101	100Ω 2% 0,25W
2662	4822 122 10166	22nF 30% 16V	3293	4822 051 10101	100Ω 2% 0,25W
2663	4822 122 10158	1nF 10% 50V	3294	4822 050 21801	180Ω 1% 0,6W
2664	4822 121 51245	220nF 63V	3295	4822 050 21801	180Ω 1% 0,6W
2667	4822 124 23176	22μF 20% 16V	3296	4822 050 22201	220Ω 1% 0,6W
2668	4822 121 43041	560nF 10% 63V	3297	4822 050 22201	220Ω 1% 0,6W
2670	4822 121 41545	0,033μF 10% 250V	3298	4822 116 52224	470Ω 5% 0,5W
2672	4822 122 10177	10nF 20% 25V	3299	4822 116 52224	470Ω 5% 0,5W
2680	4822 122 10177	10nF 20% 25V	3300	4822 116 52263	2k7 5% 0,5W
2681	4822 122 10177	10nF 20% 25V	3301	4822 116 52263	2k7 5% 0,5W
RESISTORS			3302	4822 116 52224	470Ω 5% 0,5W
3250	4822 050 23302	3k3 1% 0,6W	3303	4822 116 52224	470Ω 5% 0,5W
3252	4822 050 21002	1k 1% 0,6W	3304	4822 113 80525	OR15 10% 3W
3253	4822 050 21002	1k 1% 0,6W	3305	4822 113 80525	OR15 10% 3W
3254	4822 050 22203	22k 1% 0,6W	3306	4822 113 80525	OR15 10% 3W
3255	4822 050 24703	47k 1% 0,6W	3307	4822 113 80525	OR15 10% 3W
3256	4822 050 21003	10k 1% 0,6W	3308	4822 050 28203	82k 1% 0,6W
3257	4822 050 24703	47k 1% 0,6W	3309	4822 050 28203	82k 1% 0,6W
3258	4822 050 22203	22k 1% 0,6W	3310	4822 050 22204	220k 1% 0,6W
3259	4822 050 22203	22k 1% 0,6W	3311	4822 050 22203	22k 1% 0,6W
3260	4822 050 24703	47k 1% 0,6W	3312	4822 050 13303	33k 1% 0,4W
3261	4822 050 24703	47k 1% 0,6W	3313	4822 050 22203	22k 1% 0,6W
3262	4822 050 21803	18k 1% 0,6W	3314	4822 050 26803	68k 1% 0,6W
3263	4822 050 24703	47k 1% 0,6W	3315	4822 050 21501	150Ω 1% 0,6W
3264	4822 050 21002	1k 1% 0,6W	3316	4822 050 24702	4k7 1% 0,6W
3265	4822 050 21002	1k 1% 0,6W	3318	4822 050 21002	1k 1% 0,6W
3266	4822 116 52224	470Ω 5% 0,5W	3319	4822 050 21002	1k 1% 0,6W
3267	4822 116 52224	470Ω 5% 0,5W	3320	4822 050 21003	10k 1% 0,6W
3268	4822 050 22203	22k 1% 0,6W	3321	4822 050 21003	10k 1% 0,6W
3269	4822 050 22203	22k 1% 0,6W	3328	4822 050 21502	1k5 1% 0,6W
3270	4822 053 10122	1k2 5% 1W	3329	4822 050 21502	1k5 1% 0,6W
			3330	4822 050 21003	10k 1% 0,6W
			3331	4822 050 21003	10k 1% 0,6W
			3332	4822 050 23302	3k3 1% 0,6W
			3333	4822 116 80564	220Ω 5%

3340	4822 050 22204	220k 1% 0,6W	3429	4822 051 10101	100Ω 2% 0,25W
3341	4822 050 22204	220k 1% 0,6W	3430	4822 051 10101	100Ω 2% 0,25W
3342	4822 116 80562	10Ω 5%	3431	4822 051 10101	100Ω 2% 0,25W
3343	4822 116 80311	4Q7 5%	3432	4822 051 10101	100Ω 2% 0,25W
3344	4822 050 21802	1k8 1% 0,6W	3433	4822 051 10101	100Ω 2% 0,25W
3345	4822 050 21202	1k2 1% 0,6W	3434	4822 051 10101	100Ω 2% 0,25W
3346	4822 053 12391	390Ω 5% 3W	3435	4822 051 10101	100Ω 2% 0,25W
3347	4822 053 12391	390Ω 5% 3W	3436	4822 051 10101	100Ω 2% 0,25W
3348	4822 050 21201	120Ω 1% 0,6W	3437	4822 051 10101	100Ω 2% 0,25W
3349	4822 050 21201	SFR25H	3438	4822 051 10101	100Ω 2% 0,25W
3350	4822 052 10229	22Ω 5% 0,33W	3439	4822 051 10101	100Ω 2% 0,25W
3354	4822 116 52224	470Ω 5% 0,5W	3440	4822 051 10101	100Ω 2% 0,25W
3355	4822 116 52224	470Ω 5% 0,5W	3441	4822 051 10101	100Ω 2% 0,25W
3356	4822 051 10101	100Ω 2% 0,25W	3442	4822 051 10101	100Ω 2% 0,25W
3357	4822 051 10101	100Ω 2% 0,25W	3443	4822 116 52217	270Ω 5% 0,5W
3358	4822 116 80311	4Q7 5%	3444	4822 116 52217	270Ω 5% 0,5W
3359	4822 116 80311	4Q7 5%	3445	4822 116 52217	270Ω 5% 0,5W
3360	4822 116 80562	10Ω 5%	3446	4822 116 52217	270Ω 5% 0,5W
3361	4822 116 80562	10Ω 5%	3447	4822 050 23302	3k3 1% 0,6W
3364	4822 050 22204	220k 1% 0,6W	3448	4822 050 23302	3k3 1% 0,6W
3365	4822 050 22204	220k 1% 0,6W	3455	4822 050 28209	82Ω 1% 0,6W
3368	4822 116 80562	10Ω 5%	3475	4822 050 16809	68Ω 1% 0,4W
3369	4822 116 80562	10Ω 5%	3476	4822 051 10101	100Ω 2% 0,25W
3370	4822 050 22203	22k 1% 0,6W	3477	4822 050 16809	68Ω 1% 0,4W
3371	4822 050 22203	22k 1% 0,6W	3478	4822 051 10101	100Ω 2% 0,25W
3372	4822 050 22203	22k 1% 0,6W	3479	4822 050 16809	68Ω 1% 0,4W
3401	4822 050 23901	390Ω 1% 0,6W	3480	4822 051 10101	100Ω 2% 0,25W
3402	4822 050 23901	390Ω 1% 0,6W	3483	4822 050 21002	1k 1% 0,6W
3403	4822 116 52272	330k 5% 0,5W	3484	4822 050 21002	1k 1% 0,6W
3404	4822 116 52272	330k 5% 0,5W	3485	4822 050 21002	1k 1% 0,6W
3405	4822 050 25603	56k 1% 0,6W	3486	4822 116 52217	270Ω 5% 0,5W
3406	4822 050 25603	56k 1% 0,6W	3487	4822 116 52217	270Ω 5% 0,5W
3407	4822 050 23901	390Ω 1% 0,6W	3488	4822 116 80335	47Ω
3408	4822 050 23901	390Ω 1% 0,6W	3489	4822 050 21002	1k 1% 0,6W
3409	4822 051 10101	100Ω 2% 0,25W	3490	4822 050 28209	82Ω 1% 0,6W
3410	4822 051 10101	100Ω 2% 0,25W	3491	4822 116 80335	47Ω
3411	4822 051 10561	560Ω 2% 0,25W	3492	4822 116 80335	47Ω
3412	4822 051 10561	560Ω 2% 0,25W	3493	4822 116 52263	2k7 5% 0,5W
3413	4822 116 52272	330k 5% 0,5W	3494	4822 050 21803	18k 1% 0,6W
3414	4822 116 52272	330k 5% 0,5W	3495	4822 050 21002	1k 1% 0,6W
3415	4822 116 52264	27k 5% 0,5W	3496	4822 051 10561	560Ω 2% 0,25W
3416	4822 116 52264	27k 5% 0,5W	3498	4822 050 26201	620Ω 1% 0,6W
3417	4822 051 10101	100Ω 2% 0,25W	3499	4822 051 10101	100Ω 2% 0,25W
3418	4822 051 10101	100Ω 2% 0,25W	3500	4822 050 16809	68Ω 1% 0,4W
3419	4822 116 52234	100k 5% 0,5W	3501	4822 116 52263	2k7 5% 0,5W
3420	4822 116 52234	100k 5% 0,5W	3502	4822 050 21803	18k 1% 0,6W
3421	4822 050 22201	220Ω 1% 0,6W	3503	4822 050 21002	1k 1% 0,6W
3422	4822 050 22201	220Ω 1% 0,6W	3504	4822 051 10561	560Ω 2% 0,25W
3423	4822 051 10101	100Ω 2% 0,25W	3506	4822 050 26201	620Ω 1% 0,6W
3424	4822 051 10101	100Ω 2% 0,25W	3507	4822 050 21003	10k 1% 0,6W
3425	4822 051 10101	100Ω 2% 0,25W	3508	4822 050 26802	6k8 1% 0,6W
3426	4822 051 10101	100Ω 2% 0,25W	3600	4822 050 24702	4k7 1% 0,6W
3427	4822 051 10101	100Ω 2% 0,25W	3601	4822 101 21175	50k
3428	4822 051 10101	100Ω 2% 0,25W	3603	4822 101 21176	100k

3605	4822 050 15602	5k6	1%	0,4W	3668	4822 050 15602	5k6	1%	0,4W
3606	4822 050 15602	5k6	1%	0,4W	3669	4822 050 21005	1M	1%	0,6W
3607	4822 050 21203	12k	1%	0,6W	3670	4822 050 21003	10k	1%	0,6W
3608	4822 050 21203	12k	1%	0,6W	3671	4822 116 52197	56Ω	5%	0,5W
3609	4822 050 21002	1k	1%	0,6W	3672	4822 050 21003	10k	1%	0,6W
3610	4822 050 21002	1k	1%	0,6W	3673	4822 050 21005	1M	1%	0,6W
3611	4822 050 13303	33k	1%	0,4W	3674	4822 050 21005	1M	1%	0,6W
3612	4822 050 13303	33k	1%	0,4W	3675	4822 050 23901	390Ω	1%	0,6W
3613	4822 050 21002	1k	1%	0,6W	3676	4822 051 10182	1k8	2%	0,25W
3614	4822 050 21002	1k	1%	0,6W	3677	4822 050 21003	10k	1%	0,6W
3615	4822 050 21002	1k	1%	0,6W	3678	4822 116 82366	2Ω		
3616	4822 050 21002	1k	1%	0,6W	3679	4822 053 11159	15Ω	5%	2W
3617	4822 050 22202	2k2	1%	0,6W	3680	4822 050 23302	3k3	1%	0,6W
3618	4822 050 22202	2k2	1%	0,6W	3681	4822 050 24703	47k	1%	0,6W
3619	4822 116 80335	47Ω			3682	4822 050 21003	10k	1%	0,6W
3620	4822 116 80335	47Ω			3693	4822 116 80311	4Ω	7%	5%
3621	4822 051 10101	100Ω	2%	0,25W	3696	4822 051 10561	560Ω	2%	0,25W
3622	4822 051 10101	100Ω	2%	0,25W	3697	4822 051 10561	560Ω	2%	0,25W
3623	4822 050 24702	4k7	1%	0,6W	3698	4822 051 10561	560Ω	2%	0,25W
3624	4822 050 24702	4k7	1%	0,6W	3699	4822 051 10561	560Ω	2%	0,25W
3625	4822 051 10561	560Ω	2%	0,25W	3700	4822 051 10561	560Ω	2%	0,25W
3626	4822 051 10561	560Ω	2%	0,25W	3701	4822 051 10561	560Ω	2%	0,25W
3627	4822 050 24702	4k7	1%	0,6W	3702	4822 051 10561	560Ω	2%	0,25W
3628	4822 050 24702	4k7	1%	0,6W	3703	4822 051 10561	560Ω	2%	0,25W
3629	4822 051 10561	560Ω	2%	0,25W	3704	4822 051 10561	560Ω	2%	0,25W
3630	4822 051 10561	560Ω	2%	0,25W	3705	4822 050 21002	1k	1%	0,6W
3631	4822 050 22202	2k2	1%	0,6W	3706	4822 050 21002	1k	1%	0,6W
3632	4822 050 22202	2k2	1%	0,6W	3708	4822 050 21002	1k	1%	0,6W
3636	4822 050 21002	1k	1%	0,6W	3709	4822 050 21002	1k	1%	0,6W
3637	4822 050 21002	1k	1%	0,6W	3710	4822 050 21002	1k	1%	0,6W
3639	4822 116 52234	100k	5%	0,5W	3711	4822 050 21002	1k	1%	0,6W
3640	4822 050 24703	47k	1%	0,6W	3714	4822 050 21002	1k	1%	0,6W
3641	4822 050 24703	47k	1%	0,6W	3716	4822 050 22202	2k2	1%	0,6W
3645	4822 050 28209	82Ω	1%	0,6W	3717	4822 050 22202	2k2	1%	0,6W
3646	4822 050 28209	82Ω	1%	0,6W	3718	4822 050 22202	2k2	1%	0,6W
3647	4822 050 24702	4k7	1%	0,6W	3719	4822 050 22202	2k2	1%	0,6W
3648	4822 050 24702	4k7	1%	0,6W	3720	4822 050 22202	2k2	1%	0,6W
3649	4822 051 10182	1k8	2%	0,25W	3721	4822 050 22202	2k2	1%	0,6W
3650	4822 051 10182	1k8	2%	0,25W	3722	4822 050 22202	2k2	1%	0,6W
3651	4822 101 21177	20k			3724	4822 050 21003	10k	1%	0,6W
3652	4822 101 21177	20k			3726	4822 050 21003	10k	1%	0,6W
3653	4822 050 24702	4k7	1%	0,6W	3728	4822 050 21803	18k	1%	0,6W
3654	4822 050 24702	4k7	1%	0,6W	3730	4822 116 52264	27k	5%	0,5W
3655	4822 051 10182	1k8	2%	0,25W	3731	4822 116 52264	27k	5%	0,5W
3656	4822 051 10182	1k8	2%	0,25W	3732	4822 116 52264	27k	5%	0,5W
3657	4822 050 21801	180Ω	1%	0,6W	3733	4822 116 52264	27k	5%	0,5W
3658	4822 050 21801	180Ω	1%	0,6W	3734	4822 116 52264	27k	5%	0,5W
3659	4822 051 10101	100Ω	2%	0,25W	3739	4822 050 24703	47k	1%	0,6W
3660	4822 051 10101	100Ω	2%	0,25W	3740	4822 050 24703	47k	1%	0,6W
3661	4822 050 25604	560k	1%	0,6W	3741	4822 050 24703	47k	1%	0,6W
3662	4822 050 25604	560k	1%	0,6W	3742	4822 050 24703	47k	1%	0,6W
3665	4822 116 80335	47Ω			3744	4822 050 22203	22k	1%	0,6W
3666	4822 116 80335	47Ω			3745	4822 116 52235	1M	5%	0,5W
3667	4822 050 15602	5k6	1%	0,4W	3750	4822 050 24702	4k7	1%	0,6W
					3751	4822 050 24702	4k7	1%	0,6W

3752	4822 050 24702	4k7 1% 0,6W	6286	4822 130 30621	1N4148
3753	4822 050 24702	4k7 1% 0,6W	6287	4822 130 30621	1N4148
COILS			6288	4822 130 30621	1N4148
5001	4822 146 31043	Mains Trafo	6289	4822 130 30621	1N4148
5252	4822 157 62255	Coil	6290	4822 130 30621	1N4148
5253	4822 157 62255	Coil	6291	4822 130 30621	1N4148
5254	4822 280 70368	Relay 36V	6292	4822 130 30621	1N4148
5255	4822 280 70368	Relay 36V	6293	4822 130 30621	1N4148
5256	4822 280 70368	Relay 36V	6294	4822 130 30621	1N4148
5475	4822 148 80281	Coil	6295	4822 130 30621	1N4148
5476	4822 148 80281	Coil	6296	4822 130 30621	1N4148
5601	4822 101 21178	Coil	6297	4822 130 30621	1N4148
5602	4822 101 21178	Coil	6298	4822 130 34281	BZX79-C15
5605	4822 242 72527	Resonator	6299	4822 130 30621	1N4148
DIODES			6301	4822 130 34499	BZX79-C20
6250	4822 130 61219	BZX79-C10	6302	4822 130 34268	BZX79-C16
6251	4822 130 61219	BZX79-C10	6401	4822 130 31253	BZX79-C2V4
6252	4822 130 61219	BZX79-C10	6475	4822 130 30621	1N4148
6253	4822 130 61219	BZX79-C10	6476	4822 130 30621	1N4148
6254	4822 130 30621	1N4148	6477	4822 130 34173	BZX79-C5V6
6255	4822 130 30621	1N4148	6601	4822 130 30621	1N4148
6256	4822 130 30842	BAV21	6603	4822 130 30621	1N4148
6257	4822 130 30842	BAV21	6604	4822 130 34278	BZX79-C6V8
6258	5322 130 34563	BZX79-C2V7	6605	4822 130 34278	BZX79-C6V8
6259	5322 130 34563	BZX79-C2V7	6606	4822 130 30621	1N4148
6260	4822 130 80235	BZX79-C3V3	6607	4822 130 30621	1N4148
6261	4822 130 80235	BZX79-C3V3	6608	4822 130 30621	1N4148
6262	4822 130 30842	BAV21	6609	4822 130 30621	1N4148
6263	4822 130 30842	BAV21	6610	4822 130 30621	1N4148
6264	4822 130 32213	BYV28-50	6611	4822 130 30621	1N4148
6265	4822 130 32213	BYV28-50	6612	4822 130 34233	BZX79-C5V1
6266	4822 130 32213	BYV28-50	6613	4822 130 31253	BZX79-C2V4
6267	4822 130 32213	BYV28-50	6614	4822 130 34167	BZX79-C6V2
6268	4822 130 30621	1N4148	6615	4822 130 34174	BZX79-C4V7
6269	4822 130 30621	1N4148	6616	4822 130 34167	BZX79-C6V2
6270	4822 130 30621	1N4148	6632	4822 130 30621	1N4148
6271	4822 130 30621	1N4148	6633	4822 130 30621	1N4148
6272	4822 130 30621	1N4148	6634	4822 130 30621	1N4148
6273	4822 130 34278	BZX79-C6V8	6635	4822 130 82911	LED
6274	4822 130 30621	1N4148	6636	4822 130 82911	LED
6275	4822 130 30621	1N4148	6637	4822 130 82911	LED
6276	4822 130 30621	1N4148	6638	4822 130 82911	LED
6277	4822 130 30621	1N4148	6639	4822 130 82911	LED
6278	5322 130 30684	1N4002GP	6640	4822 130 82911	LED
6279	5322 130 30684	1N4002GP	6641	4822 130 82911	LED
6280	5322 130 30684	1N4002GP	6642	4822 130 82911	LED
6281	5322 130 30684	1N4002GP	6643	4822 130 82911	LED
6282	4822 130 34281	BZX79-C15	6644	4822 130 82911	LED
6283	4822 130 82078	D5SBA20	6645	4822 130 82911	LED
6284	4822 130 82079	D3SBA20	6646	4822 130 82911	LED
			6647	4822 130 82911	LED
			6648	4822 130 82911	LED
			6690	5322 130 34834	BZX79-C3V6
			6691	5322 130 34834	BZX79-C3V6

2615	4822 122 10166	22nF 30% 16V	3260	4822 050 24703	47k 1% 0,6W
2616	4822 122 10166	22nF 30% 16V	3261	4822 050 24703	47k 1% 0,6W
2617	4822 122 10177	10nF 20% 25V	3262	4822 050 21803	18k 1% 0,6W
2618	4822 124 40242	1µF 20% 63V	3263	4822 050 24703	47k 1% 0,6W
2619	4822 122 10177	10nF 20% 25V	3264	4822 050 21002	1k 1% 0,6W
2621	4822 121 51409	120nF 5% 63V	3265	4822 050 21002	1k 1% 0,6W
2622	4822 121 51409	120nF 5% 63V	3266	4822 050 23301	MET FLM 330Ω
2623	4822 121 51409	120nF 5% 63V	3267	4822 050 23301	MET FLM 330Ω
2624	4822 121 51409	120nF 5% 63V	3268	4822 050 22203	22k 1% 0,6W
2625	4822 126 11311	4,7nF 50V	3269	4822 050 22203	22k 1% 0,6W
2626	4822 126 11311	4,7nF 50V	3270	4822 053 10122	1k2 5% 1W
2627	4822 124 41969	1µF 20% 50V	3271	4822 053 10122	1k2 5% 1W
2628	4822 124 41969	1µF 20% 50V	3272	4822 052 10681	680Ω 5% 0,33W
2629	4822 122 10183	100pF 5% 50V	3273	4822 052 10681	680Ω 5% 0,33W
2630	4822 122 10183	100pF 5% 50V	3274	4822 050 22202	2k2 1% 0,6W
2631	4822 122 33997	56pF 5%NPO	3275	4822 050 22202	2k2 1% 0,6W
2632	4822 122 33997	56pF 5%NPO	3276	4822 050 16809	68Ω 1% 0,4W
2633	4822 124 23176	22µF 20% 16V	3277	4822 050 16809	68Ω 1% 0,4W
2634	4822 124 23176	22µF 20% 16V	3278	4822 112 41112	1k5 5% 5,8W
2635	4822 122 10166	22nF 30% 16V	3279	4822 112 41112	1k5 5% 5,8W
2636	4822 122 10166	22nF 30% 16V	3280	4822 053 12152	1k5 5% 3W
2637	4822 124 42368	22µF 35V	3281	4822 053 12152	1k5 5% 3W
2638	4822 124 42368	22µF 35V	3282	4822 050 22202	2k2 1% 0,6W
2639	4822 122 10166	CERC TUB 22N	3283	4822 050 22202	2k2 1% 0,6W
2640	4822 121 42408	220nF 5% 63V	3284	4822 101 10927	470Ω
2641	4822 124 22347	47µF 50V	3285	4822 101 10927	470Ω
2642	4822 122 31693	560pF 10% 50V	3286	4822 116 52224	470Ω 5% 0,5W
2643	4822 124 40246	4,7µF 20% 63V	3287	4822 116 52224	470Ω 5% 0,5W
2644	4822 124 40242	1µF 20% 63V	3288	4822 053 10302	3k 5% 1W
2661	4822 122 10166	22nF 30% 16V	3289	4822 053 10302	3k 5% 1W
2662	4822 122 10166	22nF 30% 16V	3290	4822 053 10222	2k2 5% 1W
2663	4822 126 11311	CERAMIC 4N7	3291	4822 053 10222	2k2 5% 1W
2664	4822 121 42408	220nF 5% 63V	3292	4822 051 10101	100Ω 2% 0,25W
2667	4822 124 23176	22µF 20% 16V	3293	4822 051 10101	100Ω 2% 0,25W
2668	4822 121 51412	560nF 5% 63V	3294	4822 116 52217	270Ω 5% 0,5W
2669	5322 121 42498	POL 680N	3295	4822 116 52217	270Ω 5% 0,5W
2670	5322 121 42498	POL 680N	3296	4822 116 52217	270Ω 5% 0,5W
2672	4822 126 11311	CERAMIC 4N7	3297	4822 116 52217	270Ω 5% 0,5W
2680	4822 122 10177	10nF 20% 25V	3298	4822 116 52224	470Ω 5% 0,5W
2681	4822 122 10177	10nF 20% 25V	3299	4822 116 52224	470Ω 5% 0,5W
RESISTORS			3300	4822 116 52263	2k7 5% 0,5W
3250	4822 050 23302	3k3 1% 0,6W	3301	4822 116 52263	2k7 5% 0,5W
3251	4822 050 24703	47k 1% 0,6W	3302	4822 116 52224	470Ω 5% 0,5W
3252	4822 050 21002	1k 1% 0,6W	3303	4822 116 52224	470Ω 5% 0,5W
3253	4822 050 21002	1k 1% 0,6W	3304	4822 113 80525	OR15 10% 3W
3254	4822 050 22203	22k 1% 0,6W	3305	4822 113 80525	OR15 10% 3W
3255	4822 050 24703	47k 1% 0,6W	3306	4822 113 80525	OR15 10% 3W
3256	4822 050 21003	10k 1% 0,6W	3307	4822 113 80525	OR15 10% 3W
3257	4822 050 24703	47k 1% 0,6W	3308	4822 050 28203	82k 1% 0,6W
3258	4822 050 22203	22k 1% 0,6W	3309	4822 050 28203	82k 1% 0,6W
3259	4822 050 22203	22k 1% 0,6W	3310	4822 050 21204	120k 1% 0,6W
			3311	4822 050 22203	22k 1% 0,6W
			3312	4822 050 13303	33k 1% 0,4W
			3313	4822 050 22203	22k 1% 0,6W

3314	4822 050 26803	68k	1%	0,6W	3418	4822 051 10101	100Ω	2%	0,25W
3315	4822 050 21501	150Ω	1%	0,6W	3419	4822 116 52234	100k	5%	0,5W
3316	4822 050 24702	4k7	1%	0,6W	3420	4822 116 52234	100k	5%	0,5W
3318	4822 050 21002	1k	1%	0,6W	3421	4822 116 52217	270Ω	5%	0,5W
3319	4822 050 21002	1k	1%	0,6W	3422	4822 116 52217	270Ω	5%	0,5W
3320	4822 050 21003	10k	1%	0,6W	3423	4822 051 10101	100Ω	2%	0,25W
3321	4822 050 21003	10k	1%	0,6W	3424	4822 051 10101	100Ω	2%	0,25W
3328	4822 050 21502	1k5	1%	0,6W	3425	4822 051 10101	100Ω	2%	0,25W
3329	4822 050 21502	1k5	1%	0,6W	3426	4822 051 10101	100Ω	2%	0,25W
3330	4822 050 21003	10k	1%	0,6W	3427	4822 051 10101	100Ω	2%	0,25W
3331	4822 050 21003	10k	1%	0,6W	3428	4822 051 10101	100Ω	2%	0,25W
3332	4822 050 23302	3k3	1%	0,6W	3429	4822 051 10101	100Ω	2%	0,25W
3333	4822 052 10221	220Ω	5%	0,33W	3430	4822 051 10101	100Ω	2%	0,25W
3340	4822 050 22204	220k	1%	0,6W	3431	4822 051 10101	100Ω	2%	0,25W
3341	4822 050 22204	220k	1%	0,6W	3432	4822 051 10101	100Ω	2%	0,25W
3342	4822 052 10109	10Ω	5%	0,33W	3433	4822 051 10101	100Ω	2%	0,25W
3343	4822 052 10478	4Ω7	5%	0,33W	3434	4822 051 10101	100Ω	2%	0,25W
3344	4822 050 21802	1k8	1%	0,6W	3435	4822 051 10101	100Ω	2%	0,25W
3345	4822 050 21202	1k2	1%	0,6W	3436	4822 051 10101	100Ω	2%	0,25W
3346	4822 053 12391	390Ω	5%	3W	3437	4822 051 10101	100Ω	2%	0,25W
3347	4822 053 12391	390Ω	5%	3W	3438	4822 051 10101	100Ω	2%	0,25W
3348	4822 050 21201	120Ω	1%	0,6W	3439	4822 051 10101	100Ω	2%	0,25W
3349	4822 050 21201	120Ω	1%	0,6W	3440	4822 051 10101	100Ω	2%	0,25W
3359	4822 052 10229	22Ω	5%	0,33W	3441	4822 051 10101	100Ω	2%	0,25W
3354	4822 116 52224	470Ω	5%	0,5W	3442	4822 051 10101	100Ω	2%	0,25W
3355	4822 116 52224	470Ω	5%	0,5W	3443	4822 116 52217	270Ω	5%	0,5W
3356	4822 051 10101	100Ω	2%	0,25W	3444	4822 116 52217	270Ω	5%	0,5W
3357	4822 051 10101	100Ω	2%	0,25W	3445	4822 116 52217	270Ω	5%	0,5W
3358	4822 052 10478	4Ω7	5%	0,33W	3446	4822 116 52217	270Ω	5%	0,5W
3359	4822 052 10478	4Ω7	5%	0,33W	3447	4822 050 23302	3k3	1%	0,6W
3360	4822 052 10479	47Ω	5%	0,33W	3448	4822 050 23302	3k3	1%	0,6W
3361	4822 052 10479	47Ω	5%	0,33W	3455	4822 050 28209	82Ω	1%	0,6W
3364	4822 050 22204	220k	1%	0,6W	3475	4822 050 28209	FLMRST	82Ω	
3365	4822 050 22204	220k	1%	0,6W	3476	4822 050 11009	FLMRST	10Ω	
3370	4822 050 22203	22k	1%	0,6W	3477	4822 050 28209	FLMRST	82Ω	
3371	4822 050 22203	22k	1%	0,6W	3478	4822 050 11009	FLMRST	10Ω	
3372	4822 050 22203	22k	1%	0,6W	3479	4822 050 28209	FLMRST	82Ω	
3401	4822 050 23901	390Ω	1%	0,6W	3480	4822 050 11009	FLMRST	10Ω	
3402	4822 050 23901	390Ω	1%	0,6W	3483	4822 050 21002	1k	1%	0,6W
3403	4822 116 52272	330k	5%	0,5W	3484	4822 050 21002	1k	1%	0,6W
3404	4822 116 52272	330k	5%	0,5W	3485	4822 050 21002	1k	1%	0,6W
3405	4822 050 25603	56k	1%	0,6W	3486	4822 116 52217	270Ω	5%	0,5W
3406	4822 050 25603	56k	1%	0,6W	3487	4822 116 52217	270Ω	5%	0,5W
3407	4822 050 23901	390Ω	1%	0,6W	3488	4822 052 10479	47Ω	5%	0,33W
3408	4822 050 23901	390Ω	1%	0,6W	3489	4822 050 21002	1k	1%	0,6W
3409	4822 051 10101	100Ω	2%	0,25W	3490	4822 050 28209	82Ω	1%	0,6W
3410	4822 051 10101	100Ω	2%	0,25W	3491	4822 052 10479	47Ω	5%	0,33W
3411	4822 051 10561	560Ω	2%	0,25W	3492	4822 052 10479	47Ω	5%	0,33W
3412	4822 051 10561	560Ω	2%	0,25W	3493	4822 050 21002	1k	1%	0,6W
3413	4822 116 52272	330k	5%	0,5W	3494	4822 050 23302	3k3	1%	0,6W
3414	4822 116 52272	330k	5%	0,5W	3496	4822 051 10561	560Ω	2%	0,25W
3415	4822 116 52264	27k	5%	0,5W	3498	4822 050 26201	620Ω	1%	0,6W
3416	4822 116 52264	27k	5%	0,5W	3499	4822 050 11009	10Ω	1%	0,4W
3417	4822 051 10101	100Ω	2%	0,25W	3500	4822 050 28209	FLMRST	82Ω	

3501	4822 050 21002	1k 1% 0,6W	3656	4822 051 10182	1k8 2% 0,25W
3502	4822 050 23302	3k3 1% 0,6W	3657	4822 050 21801	180Ω 1% 0,6W
3504	4822 051 10561	560Ω 2% 0,25W	3658	4822 050 21801	180Ω 1% 0,6W
3506	4822 050 26201	620Ω 1% 0,6W	3659	4822 051 10101	100Ω 2% 0,25W
3507	4822 050 21003	10k 1% 0,6W	3660	4822 051 10101	100Ω 2% 0,25W
3508	4822 050 26802	6k8 1% 0,6W	3661	4822 050 25604	560k 1% 0,6W
3510	4822 050 21003	10k 1% 0,6W	3662	4822 050 25604	560k 1% 0,6W
3600	4822 050 24702	4k7 1% 0,6W	3665	4822 052 10479	47Ω 5% 0,33W
3601	4822 101 21175	50k	3666	4822 052 10479	47Ω 5% 0,33W
3603	4822 101 21176	100k	3667	4822 050 15602	5k6 1% 0,4W
3605	4822 050 15602	5k6 1% 0,4W	3668	4822 050 15602	5k6 1% 0,4W
3606	4822 050 15602	5k6 1% 0,4W	3669	4822 050 21005	1M 1% 0,6W
3607	4822 050 24703	MET FLM RES 47k	3670	4822 050 21003	10k 1% 0,6W
3608	4822 050 24703	MET FLM RES 47k	3671	4822 116 52197	56Ω 5% 0,5W
3609	4822 050 21002	1k 1% 0,6W	3672	4822 050 21003	10k 1% 0,6W
3610	4822 050 21002	1k 1% 0,6W	3673	4822 050 21005	1M 1% 0,6W
3611	4822 050 13303	33k 1% 0,4W	3674	4822 050 21005	1M 1% 0,6W
3612	4822 050 13303	33k 1% 0,4W	3675	4822 050 23901	390Ω 1% 0,6W
3613	4822 050 21002	1k 1% 0,6W	3676	4822 051 10182	1k8 2% 0,25W
3614	4822 050 21002	1k 1% 0,6W	3677	4822 050 21003	10k 1% 0,6W
3615	4822 050 21002	1k 1% 0,6W	3678	4822 052 10228	2Ω 5% 0,33W
3616	4822 050 21002	1k 1% 0,6W	3679	4822 053 11159	15Ω 5% 2W
3617	4822 050 22202	2k2 1% 0,6W	3680	4822 050 23302	3k3 1% 0,6W
3618	4822 050 22202	2k2 1% 0,6W	3693	4822 052 10478	4Ω 5% 0,33W
3619	4822 052 10479	47Ω 5% 0,33W	3696	4822 116 52217	270Ω 5% 0,5W
3620	4822 052 10479	47Ω 5% 0,33W	3697	4822 116 52217	270Ω 5% 0,5W
3621	4822 051 10101	100Ω 2% 0,25W	3698	4822 116 52217	270Ω 5% 0,5W
3622	4822 051 10101	100Ω 2% 0,25W	3699	4822 116 52217	270Ω 5% 0,5W
3623	4822 050 24702	4k7 1% 0,6W	3700	4822 116 52217	270Ω 5% 0,5W
3624	4822 050 24702	4k7 1% 0,6W	3701	4822 116 52217	270Ω 5% 0,5W
3625	4822 051 10561	560Ω 2% 0,25W	3702	4822 116 52217	270Ω 5% 0,5W
3626	4822 051 10561	560Ω 2% 0,25W	3703	4822 116 52217	270Ω 5% 0,5W
3627	4822 050 24702	4k7 1% 0,6W	3704	4822 116 52263	2k7 5% 0,5W
3628	4822 050 24702	4k7 1% 0,6W	3705	4822 050 21002	1k 1% 0,6W
3629	4822 051 10561	560Ω 2% 0,25W	3706	4822 050 21002	1k 1% 0,6W
3630	4822 051 10561	560Ω 2% 0,25W	3708	4822 050 21002	1k 1% 0,6W
3631	4822 050 22202	2k2 1% 0,6W	3709	4822 050 21002	1k 1% 0,6W
3632	4822 050 22202	2k2 1% 0,6W	3710	4822 050 21002	1k 1% 0,6W
3637	4822 050 21002	1k 1% 0,6W	3711	4822 050 21002	1k 1% 0,6W
3638	4822 050 21002	1k 1% 0,6W	3714	4822 050 21002	1k 1% 0,6W
3639	4822 116 52234	100k 5% 0,5W	3716	4822 050 22202	2k2 1% 0,6W
3640	4822 116 52224	470Ω 5% 0,5W	3717	4822 050 22202	2k2 1% 0,6W
3641	4822 050 24703	47k 1% 0,6W	3718	4822 050 22202	2k2 1% 0,6W
3645	4822 050 28209	82Ω 1% 0,6W	3719	4822 050 22202	2k2 1% 0,6W
3646	4822 050 28209	82Ω 1% 0,6W	3720	4822 050 22202	2k2 1% 0,6W
3647	4822 050 24702	4k7 1% 0,6W	3721	4822 050 22202	2k2 1% 0,6W
3648	4822 050 24702	4k7 1% 0,6W	3722	4822 050 22202	2k2 1% 0,6W
3649	4822 051 10182	1k8 2% 0,25W	3724	4822 050 21003	10k 1% 0,6W
3650	4822 051 10182	1k8 2% 0,25W	3726	4822 050 21003	10k 1% 0,6W
3651	4822 101 21177	20k	3728	4822 050 21803	18k 1% 0,6W
3652	4822 101 21177	20k	3730	4822 116 52264	27k 5% 0,5W
3653	4822 050 24702	4k7 1% 0,6W	3731	4822 116 52264	27k 5% 0,5W
3654	4822 050 24702	4k7 1% 0,6W	3732	4822 116 52264	27k 5% 0,5W
3655	4822 051 10182	1k8 2% 0,25W	3733	4822 116 52264	27k 5% 0,5W

3734	4822 116 52264	27k 5% 0,5W	6271	4822 130 30621	1N4148
3739	4822 050 24703	47k 1% 0,6W	6272	4822 130 30621	1N4148
3740	4822 050 24703	47k 1% 0,6W	6273	4822 130 34278	BZX79-C6V8
3741	4822 050 24703	47k 1% 0,6W	6274	4822 130 30621	1N4148
3742	4822 050 24703	47k 1% 0,6W	6275	4822 130 30621	1N4148
3744	4822 050 22203	22k 1% 0,6W	6276	4822 130 30621	1N4148
3745	4822 116 52235	1M 5% 0,5W	6277	4822 130 30621	1N4148
3746	4822 050 24703	47k 1% 0,6W	6278	5322 130 30684	1N4002GP
3747	4822 050 21003	10k 1% 0,6W	6279	5322 130 30684	1N4002GP
3750	4822 050 24702	4k7 1% 0,6W	6280	5322 130 30684	1N4002GP
3751	4822 050 24702	4k7 1% 0,6W	6281	5322 130 30684	1N4002GP
3752	4822 050 24702	4k7 1% 0,6W	6282	4822 130 34281	BZX79-C15
3753	4822 050 24702	4k7 1% 0,6W	6283	4822 130 82078	D5SBA20
			6284	4822 130 82079	D3SBA20
			6286	4822 130 30621	1N4148
			6287	4822 130 30621	1N4148
			6288	4822 130 30621	1N4148
			6289	4822 130 30621	1N4148
			6290	4822 130 30621	1N4148
			6291	4822 130 30621	1N4148
			6292	4822 130 30621	1N4148
			6293	4822 130 30621	1N4148
			6294	4822 130 30621	1N4148
			6295	4822 130 30621	1N4148
			6296	4822 130 30621	1N4148
			6298	4822 130 34281	BZX79-C15
			6299	4822 130 30621	1N4148
			6301	4822 130 34499	BZX79-C20
			6302	4822 130 34268	BZX79-C16
			6303	4822 130 30621	1N4148
			6304	4822 130 30621	1N4148
			6305	4822 130 30621	1N4148
			6401	4822 130 31253	BZX79-C2V4
			6475	4822 130 30621	1N4148
			6476	4822 130 30621	1N4148
			6477	4822 130 34173	BZX79-C5V6
			6478	4822 130 34268	BZX79-B16
			6601	4822 130 30621	1N4148
			6603	4822 130 30621	1N4148
			6604	4822 130 34278	BZX79-C6V8
			6605	4822 130 34278	BZX79-C6V8
			6606	4822 130 30621	1N4148
			6607	4822 130 30621	1N4148
			6608	4822 130 30621	1N4148
			6609	4822 130 34499	DIODE BZX79 C20
			6610	5322 130 30684	1N4002
			6611	4822 130 30621	1N4148
			6612	4822 130 34233	BZX79-C5V1
			6613	4822 130 31253	BZX79-C2V4
			6614	4822 130 34167	BZX79-C6V2
			6615	4822 130 34174	BZX79-C4V7
			6616	4822 130 34167	BZX79-C6V2
			6617	4822 130 34499	DIODE BZX79 C20
			6632	4822 130 30621	1N4148
COILS					
5001	4822 146 31093	MAINS TRAFO/01			
5001	4822 146 31043	MAINS TRAFO			
5252	4822 157 62255	COIL			
5253	4822 157 62255	COIL			
5254	4822 280 70368	RELAY			
5255	4822 280 70368	RELAY			
5256	4822 280 70368	RELAY			
5475	4822 157 63873	EBU TRAFO			
5476	4822 157 63873	EBU TRAFO			
5601	4822 101 21178	COIL			
5602	4822 101 21178	COIL			
5605	4822 242 72527	CST 4MHz			
DIODES					
6250	4822 130 61219	BZX79-C10			
6251	4822 130 61219	BZX79-C10			
6252	4822 130 61219	BZX79-C10			
6253	4822 130 61219	BZX79-C10			
6254	4822 130 30621	1N4148			
6255	4822 130 30842	BAV21			
6256	4822 130 30842	BAV21			
6257	4822 130 30842	BAV21			
6258	5322 130 34563	BZX79-C2V7			
6259	5322 130 34563	BZX79-C2V7			
6260	4822 130 80235	BZX79-C3V3			
6261	4822 130 80235	BZX79-C3V3			
6262	4822 130 30842	BAV21			
6263	4822 130 30842	BAV21			
6264	4822 130 32213	BYV28-50			
6265	4822 130 32213	BYV28-50			
6266	4822 130 32213	BYV28-50			
6267	4822 130 32213	BYV28-50			
6268	4822 130 30621	1N4148			
6269	4822 130 30621	1N4148			
6270	4822 130 30621	1N4148			

6692	5322	130	34834	BZX79-C3V6	7479	4822	130	40823	BD135
6693	5322	130	34834	BZX79-C3V6	7601	4822	130	40937	BC548B
6700	4822	130	81254	GP1U520X	7602	4822	130	40937	BC548B
6701	4822	130	30621	1N4148	7603	4822	209	30941	NJM2068D
6702	4822	130	30621	1N4148	7604	4822	130	40937	BC548B
6703	4822	130	30621	1N4148	7605	4822	209	10263	HEF4052BP
6704	4822	130	30621	1N4148	7607	4822	130	40937	BC548B
6705	4822	130	30621	1N4148	7608	4822	130	40937	BC548B
6706	4822	130	30621	1N4148	7609	4822	209	83274	NJM4560D
Transistors & IC's					7610	4822	209	63667	BA6229
7250	4822	130	40937	BC548B	7611	5322	130	42216	TL081CP
7251	4822	130	40937	BC548B	7612	4822	130	44197	BC558B
7252	4822	209	80891	MHz 78M05CT	7631	4822	130	40937	BC548B
7255	4822	209	83274	NJM4560D	7633	4822	130	40937	BC548B
7256	4822	130	41691	BC556B	7636	4822	130	40937	BC548B
7257	4822	130	41691	BC556B	7639	4822	130	44197	BC558B
7258	5322	130	44413	BF457	7640	4822	130	40937	BC548B
7259	5322	130	44413	BF457	7641	4822	130	40937	BC548B
7260	4822	130	40937	BC548B	7642	4822	130	40937	BC548B
7261	4822	130	40937	BC548B	7643	4822	130	40937	BC548B
7262	4822	130	44503	BC547C	7644	4822	130	40937	BC548B
7263	4822	130	44503	BC547C	7645	4822	130	40937	BC548B
7264	4822	130	40937	BC548B	7646	4822	130	40937	BC548B
7265	4822	130	40937	BC548B	7647	4822	209	61522	PC74HCT4094P
7266	4822	130	44197	BC558B	7648	4822	209	61522	PC74HCT4094P
7267	4822	130	44197	BC558B	7649	4822	209	30882	NM93C13BN
7268	4822	130	62954	2SD1895	7650	4822	209	30881	IC
7269	4822	130	62954	2SD1895					
7270	4822	130	62953	2SD1255					
7271	4822	130	62953	2SD1255					
7272	4822	130	62953	2SD1255					
7273	4822	130	62953	2SD1255					
7274	4822	130	62953	2SD1255					
7275	4822	130	62953	2SD1255					
7276	4822	130	40937	BC548B					
7277	4822	130	44461	BC546B					
7279	4822	130	44461	BC546B					
7280	4822	130	44461	BC546B					
7281	4822	130	62952	BDT61F					
7282	4822	130	40824	BD136					
7283	4822	130	40937	BC548B					
7284	4822	130	40937	BC548B					
7285	4822	130	40937	BC548B					
7286	4822	130	40941	BC558					
7287	4822	130	40937	BC548B					
7401	4822	209	73064	NJM2068D-D					
7402	4822	209	72748	LC7821					
7403	4822	209	72748	LC7821					
7475	4822	209	71339	TC9164N					
7476	5322	209	11323	PC74HCU04P					
7477	5322	209	11323	PC74HCU04P					
7478	4822	130	44196	BC548C					

6633	4822 130 30621	1N4148	7275	4822 130 62953	2SD1255
6634	4822 130 30621	1N4148	7276	4822 130 40937	BC548B
6635	4822 130 82978	LED	7277	4822 130 44461	BC546B
6636	4822 130 82978	LED	7279	4822 130 44461	BC546B
6637	4822 130 82978	LED	7280	4822 130 44461	BC546B
6638	4822 130 82978	LED	7281	4822 130 62952	BDT61F
6639	4822 130 82978	LED	7282	4822 130 40824	BD136
6640	4822 130 82978	LED	7283	4822 130 40937	BC548B
6641	4822 130 82978	LED	7284	4822 130 40937	BC548B
6642	4822 130 82978	LED	7285	4822 130 40937	BC548B
6643	4822 130 82978	LED	7286	4822 130 40941	BC558
6644	4822 130 82978	LED	7287	4822 130 40937	BC548B
6645	4822 130 82978	LED	7288	4822 130 60117	2SC3419
6646	4822 130 82978	LED	7401	4822 209 73064	NJM2068D-D
6647	4822 130 82978	LED	7402	4822 209 72748	LC7821
6648	4822 130 82978	LED	7403	4822 209 72748	LC7821
6690	5322 130 34834	BZX79-C3V6	7475	4822 209 71339	TC9164N
6691	5322 130 34834	BZX79-C3V6	7476	5322 209 11323	IC N74HCU04N
6692	5322 130 34834	BZX79-C3V6	7477	5322 209 11323	IC N74HCU04N
6693	5322 130 34834	BZX79-C3V6	7478	4822 130 44197	BC558B
6700	4822 214 52009	GP1U58XP	7479	4822 130 40823	BD139
6701	4822 130 30621	1N4148	7601	4822 130 40937	BC548B
6702	4822 130 30621	1N4148	7602	4822 130 40937	BC548B
6703	4822 130 30621	1N4148	7603	4822 209 30941	NJM2068D
6704	4822 130 30621	1N4148	7604	4822 130 40937	BC548B
6705	4822 130 30621	1N4148	7605	4822 209 10263	HEF4052BP
6706	4822 130 30621	1N4148	7607	4822 130 40937	BC548B
TRANSISTORS & IC's			7608	4822 130 40937	BC548B
7250	4822 130 40937	BC548B	7609	4822 209 83274	NJM4560D
7251	4822 130 40937	BC548B	7610	4822 209 63667	BA6229
7252	4822 209 80891	78M05CT	7611	5322 130 42216	TL081CP
7255	4822 209 83274	NJM4560D	7612	4822 130 44197	BC558B
7256	4822 130 41691	BC556B	7631	4822 130 40937	BC548B
7257	4822 130 41691	BC556B	7633	4822 130 40937	BC548B
7258	4822 130 43283	2SC2705	7636	4822 130 40937	BC548B
7259	4822 130 43283	2SC2705	7639	4822 130 44197	BC558B
7260	4822 130 60117	2SC3419	7640	4822 130 40937	BC548B
7261	4822 130 60117	2SC3419	7641	4822 130 40937	BC548B
7262	4822 130 44503	BC547C	7642	4822 130 40937	BC548B
7263	4822 130 44503	BC547C	7643	4822 130 40937	BC548B
7264	4822 130 40937	BC548B	7644	4822 130 40937	BC548B
7265	4822 130 40937	BC548B	7645	4822 130 40937	BC548B
7266	4822 130 44197	BC558B	7646	4822 130 40937	BC548B
7267	4822 130 44197	BC558B	7647	5322 209 11532	IC 74HC4094P
7268	4822 130 62954	2SD1895	7648	5322 209 11532	IC 74HC4094P
7269	4822 130 62954	2SD1895	7649	4822 209 30882	NM93C13BN
7270	4822 130 62953	2SD1255	7650	4822 209 30881	IC
7271	4822 130 62953	2SD1255			
7272	4822 130 62953	2SD1255			
7273	4822 130 62953	2SD1255			
7274	4822 130 62953	2SD1255			



SI

Wichtig für die Werkstatt!

Sachgebiet: AC 51 HiFi

Nummer: 51081

Datum: 23.11.1994

Service Information

Betrifft: HiFi-Verstärker 70FA930
Reparatur der Endstufen

Verteiler: INTERN und EXTERN

Um Endstufen-Ausfällen vorzubeugen, sind im Verlauf der Fertigung eine Reihe von Änderungen vorgenommen und mit Service Information mitgeteilt worden.

Unter anderem wurde in diesem Zusammenhang bei Geräten mit Fertigungsdatum ab KW9232 ein anderer Temperatur-Sensor auf einem neuen Print "Power Unit" eingeführt.

Mit dieser Information werden die für die Reparatur relevanten Hinweise zusammengefaßt.

Bei der Reparatur ausgefallener Endstufen ist - insbesondere bei Verstärkern mit Fertigungsdatum vor KW9232 - darauf zu achten, daß (sofern nicht bereits geschehen) die folgenden Maßnahmen durchgeführt werden:

- * Temperatur-Sensor TS7260, 7261 (BC548B) ändern in 2SC3419-Y.
7260, 7261 2SC3419-Y 4822 130 60117
Der neue Transistor wird auf dem Kühlblock festgeschraubt.
Achtung! Beim neuen Transistor sind gegenüber BC548 die
Anschlüsse für Basis und Kollektor vertauscht!
- * Zwischen Kollektor und Emitter der Transistoren 7260 und
7261 - möglichst nah am Transistor - je einen Elko 100uF/10V
einfügen (Plus des Elkos an Kollektor).
2301, 2302 100uF/10V 4822 124 41584
- * Zwischen Kollektor und Emitter der Transistoren 7272 und
7273 je einen Kondensator 100pF/50V einfügen.
100pF/50V 4822 122 33195
- * Bei Verstärkern, die mit einer defekten Endstufe zur Reparatur
gegeben werden, stets im Rahmen der Reparatur auch die Tran-
sistoren des (noch) fehlerfreien Kanals auswechseln.
- * Beim Einbau der neuen Endtransistoren und des Temperatur-
Sensors ist durch ausreichend Wärmeleitpaste für guten
Temperatur-Kontakt zum Kühlblock zu sorgen.
Wärmeleitpaste DC340 5322 390 20019

4812 829 51081

- * Nur bei Anschluß von Lautsprechern mit ausgeprägt kapazitivem Verhalten:
Je eine Brücke über die Spulen 5252 und 5253 legen.
Anmerkung: Diese Maßnahme ist bei Anschluß "normaler" Lautsprecher, dazu gehören z.B. alle Philips-Boxen, nicht erforderlich.

Die vorübergehend zur Verbesserung der Wärmeleitung zwischen Kühlblock und Temperatur-Sensor eingebauten Andruckbleche (4822 466 82991) sind inzwischen fortgefallen; mit dem neuen Sensor 2SC3419-Y brauchen sie nicht mehr eingebaut zu werden.



SI

Wichtig für die Werkstatt!

Sachgebiet: AC 51

HIFI

Nummer: 51052

Datum: 25.02.1993

Service Information

Hifi-Verstärker 70FA930

Betrifft:

Verteiler: INTERN UND EXTERN

1. Um zu verhindern, daß auf dem PCB "Volume Unit" die Z-Diode 6616 überlastet wird, ist diese bei Geräten mit Wochencode ab 9250 ersetzt worden durch eine Reihenschaltung von 3 Stück Z-Dioden BZX79C2V4.

BZX79C2V4

4822 130 31253

Bei Ausfall der Z-Diode 6616, ist die o. gen. Änderung im Rahmen der Reparatur wie folgt durchzuführen (s. Anhang):

6616 (BZX79C6V2) ersetzen durch BZX79C2V4.

Drahtbrücken 9762 und 9689 entfernen und stattdessen je eine Z-Diode BZX79C2V4 (6620 bzw. 6621) einsetzen.

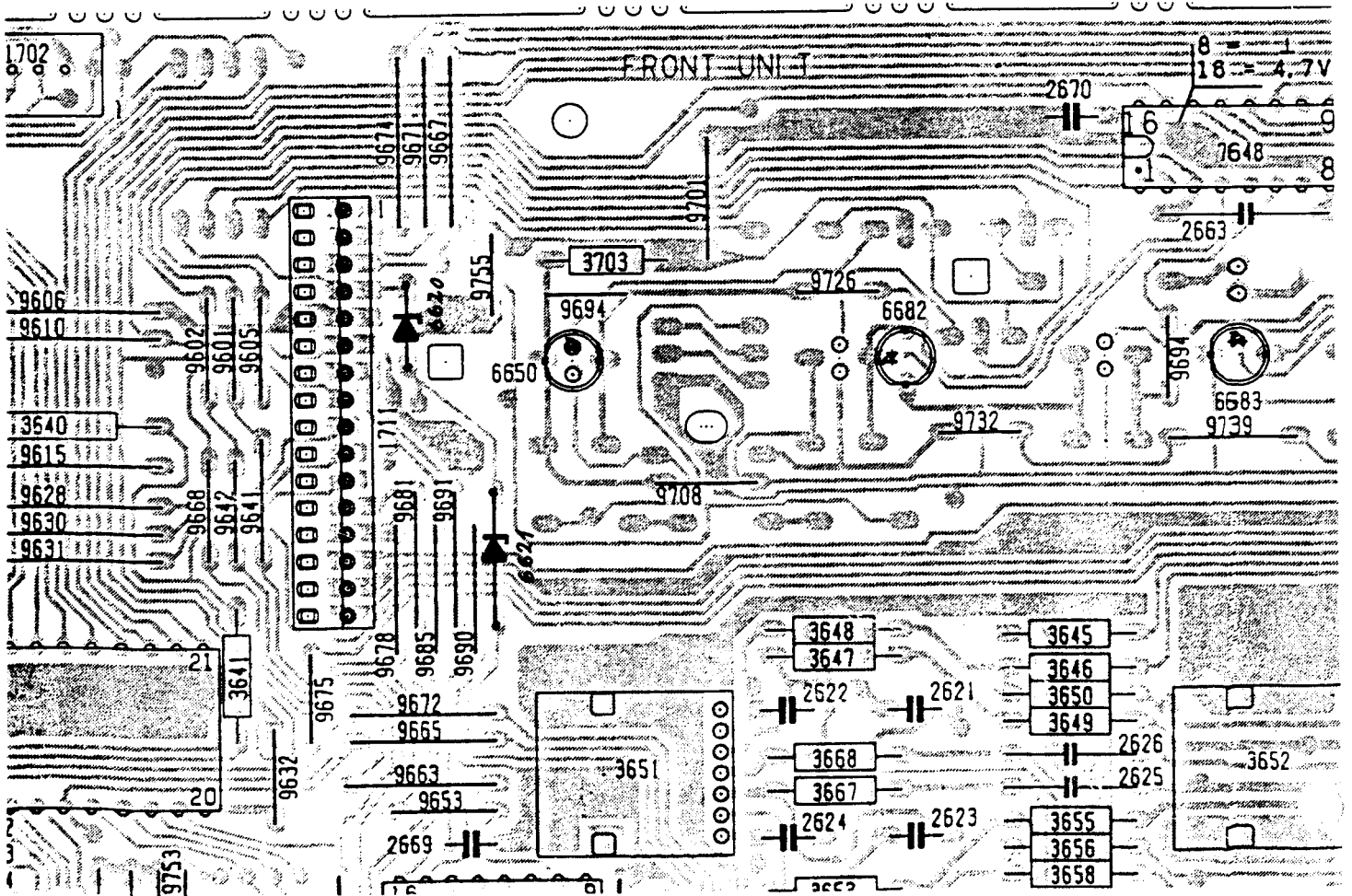
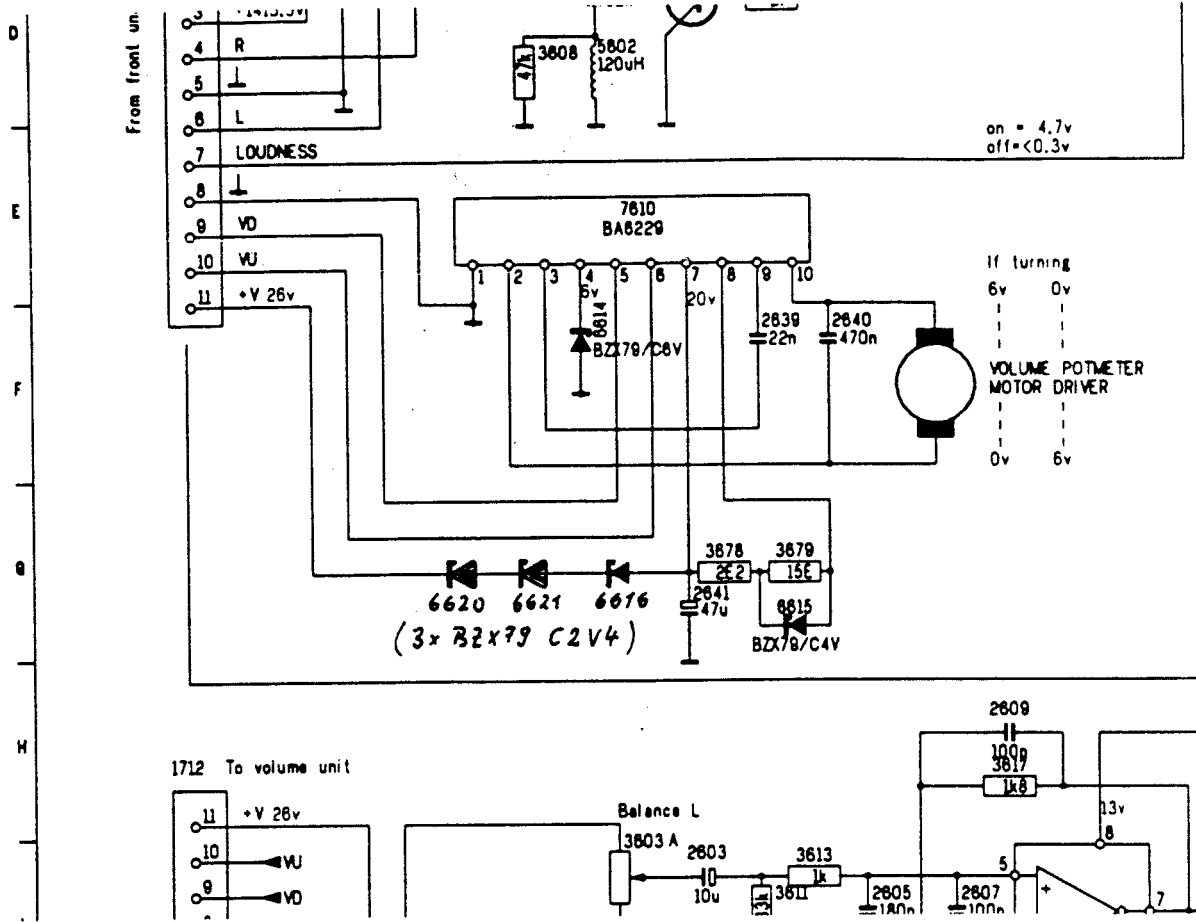
2. Bei besonderer Belastung kann es zum Unterbrechen der Thermo-sicherung im Netztransformator kommen. Für solche Fälle ist ein neuer Trafo 5001 mit einer Thermo-sicherung mit Auslösetemperatur 150 C lieferbar.

5001 mit Thermosich. 150 C

4822 146 31225

Bei Verstärkern mit Wochencode ab KW 9303 ist der neue Trans-formator bereits ab Fabrik eingebaut.

8412 829 51052



Service
Service
Service

Product Service Group CE Audio

Service Information

70FA930

In order to prevent early failure of powertransistors following changes are necessary :

-Add two electrolytic capacitors 100 μ F 10V (items 2301,2302) service codenumber 4822 124 41584 across **Collector** and **Emitter** of transistor 7260 (right channel) and 7261 (left channel) with the positive side of the capacitor connected to the collector. see fig. 1 or fig. 2

-*The most practical way to connect the two capacitors is to mount them at the coppertrack side.

There are two versions of sensing transistor 7260,7261 :
From production start the transistor is BC548B. see fig. 1

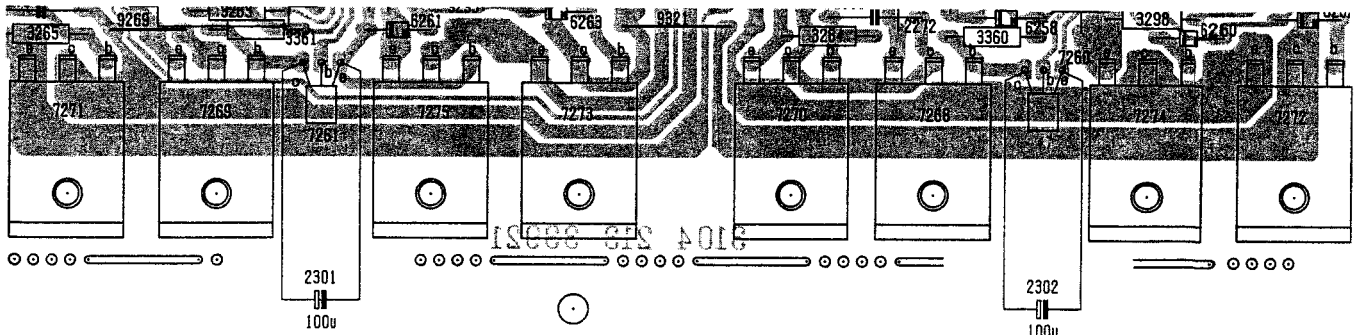


fig 1

From week 9232 another transistor type 2SC3419 is used. see fig. 2
This transistor has a TO-126 housing and is screwed on the heatsink.

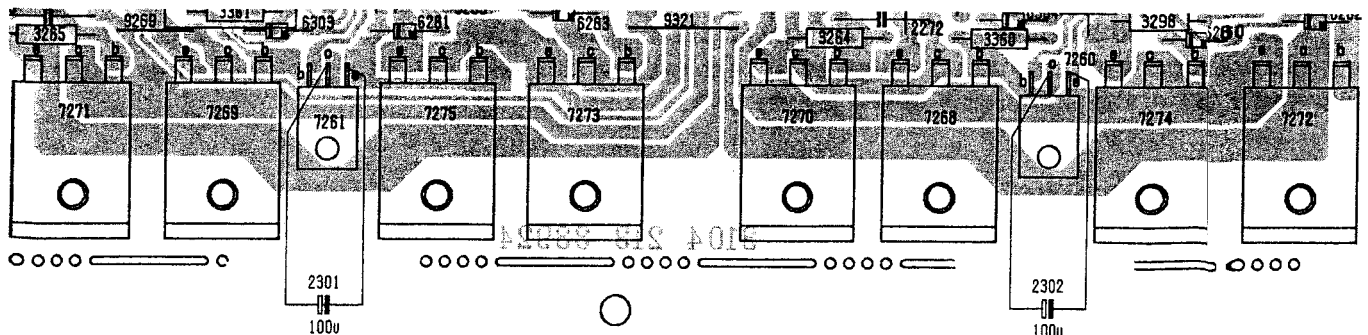
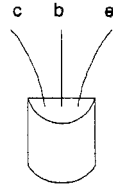
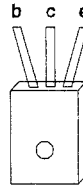


fig 2

The difference between both transistor versions is important for the connection of the capacitor on collector and emitter because the pinning of the transistors is different.



BC548



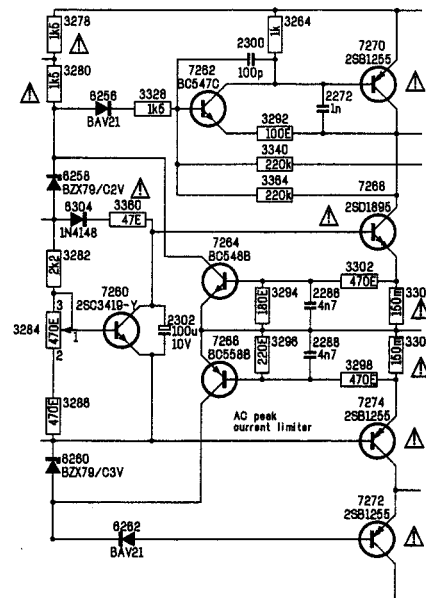
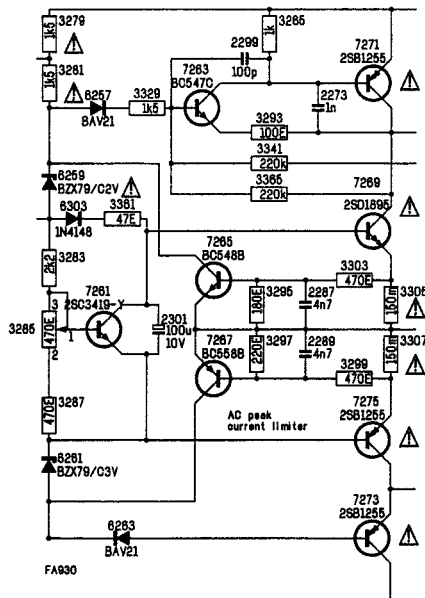
2SC3419

Remarks:

It is necessary that in **every** set which needs to be repaired, no matter the complaint, the above mentioned changes are introduced. If the repair is a defective powerendstage than it is also necessary that new powertransistors are soldered in both left and right channel.

The powertransistors to be replaced are:

items	Type	servicecodenumber
7268-7269	2SD1895	4822 130 62954
7270-7271	2SB1255	4822 130 62953
7272-7273	2SB1255	4822 130 62953
7274-7275	2SB1255	4822 130 62953



*For sets produced in week 9313 and later both capacitors are already assembled.

*For sets produced before week 9313 it is possible that these capacitors are already added in some service centres. This can be seen at the elco added between collector emitter of transistor 7260 and 7261 at the solderside of the power print.